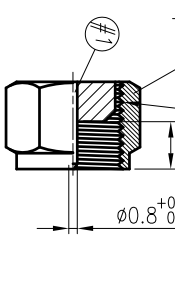
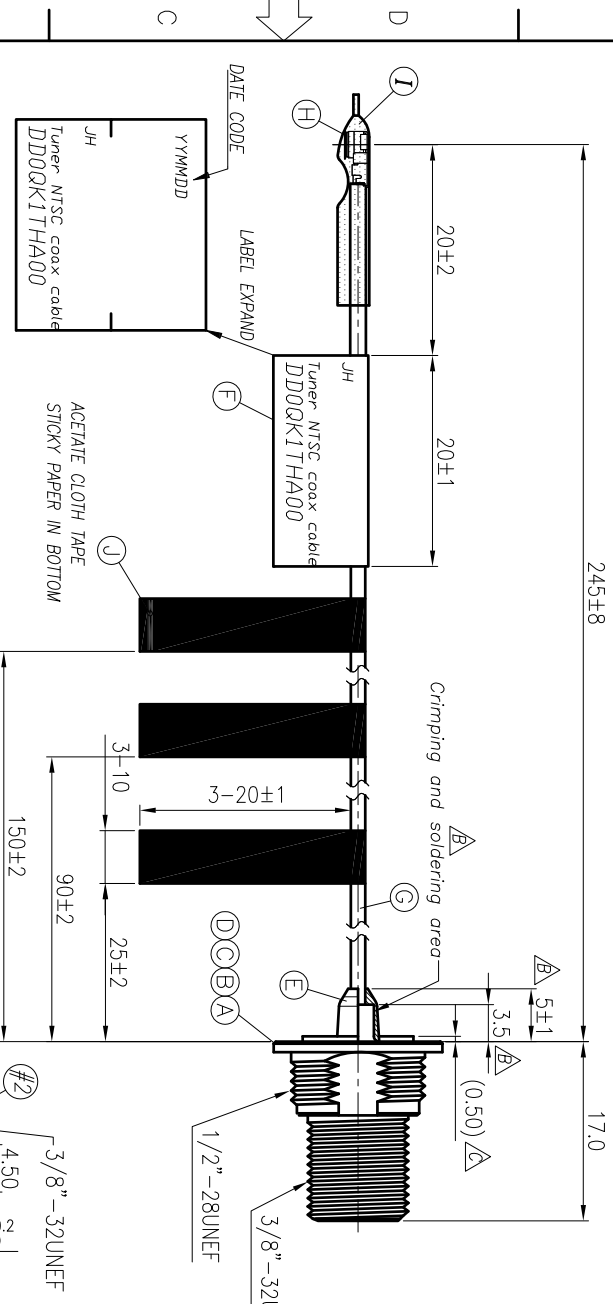
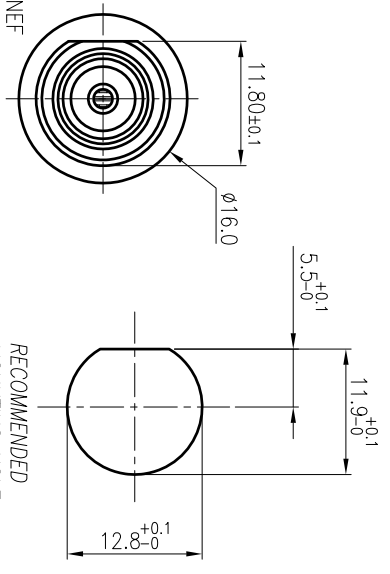


**PART NO.:**  
2RF1010-015102F

NO.:	STATEMENT
0:	Hold Back
1:	STRAIGHT 75Ω
5:	ASSEMBLY FOR CABLE+PANEL
1:	JACK
02:	SERIES NO.
F:	HALOGEN FREE

REV.	ECN NO OR DESCRIPTION	REVISED	DATE
A	PDR NO.1101020-11B	BERYL	2011.05.23
B	PRODUCT RELEASE		
B	ECN NO.1110015	BERYL	2011.10.04
C	ECN NO.1110053	BERYL	2012.01.17



- SPECIFICATIONS: (TYPE F)**
1. IMPEDANCE : 75 Ω for NTSC NOMINAL
  2. FREQUENCY RANGE : 0~1 GHz
  3. OTHER GENERAL SPEC. TO REFER "2RF1010-X151XXF SERIES SPEC."
  4. TO CONFORM TO THE SINGATRON HSF SPEC.
  5. PRODUCT IDENTIFICATION LABEL ON PACKAGING:



**Contact Pin Definition**

PIN	FUNCTION
#1	Signal
#2	Ground

NO	DESCRIPTION	QTY	MATERIAL	PLATING & COLOR
L	NUT	1	ZINC ALLOY	NICKEL PLATING
K	WASHER	1	SPCC 0.5T	NICKEL PLATING
J	ACETATE CLOTH TAPE	3	0.12t	BLACK COLOR
I	PROTECT TUBE	1	Φ3.0x20L	TRANSPARENT COLOR
H	Micro Coaxial Conn.	1	(50 ohm)Brass	GOLD PLATING
G	WIRE	1	Φ1.37 Coaxial Cable	GRAY COLOR
F	LABEL	1	20x18mm	WHITE COLOR
E	HEAT SHRINK TUBE	1	Φ2.5x5L	BLACK COLOR
D	ALLOY STOPPER	1	ZINC ALLOY	NICKEL PLATING
C	CENTER CONTACT	1	PHOSPHOR BRONZE 0.2T	GOLD FLASH
B	INSULATOR	1	POLYCARBONATE_HF	WHITE COLOR
A	ALLOY BODY	1	ZINC ALLOY	NICKEL PLATING

UNLESS OTHERWISE SPECIFIED TOLERANCES

Singaton Enterprise Co., Ltd.  
信亨企業股份有限公司

TITLE	DECIMALS:	ANGLES:
DWN	±0.5	X ±2°
CHKD	±0.3	X.X ±1°
APVD	±0.2	X.XX ±0.2

Part No. Cable Assembly(F)  
2RF1010-015102F

Scale: 2:1  
Unit: mm  
Sheet: 1 OF 1  
Rev: C

CUSTOMER COPY