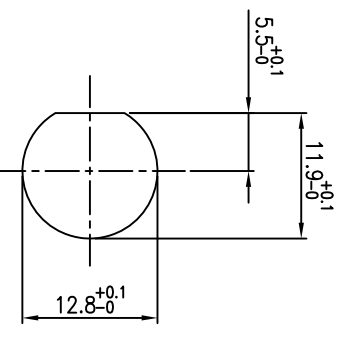
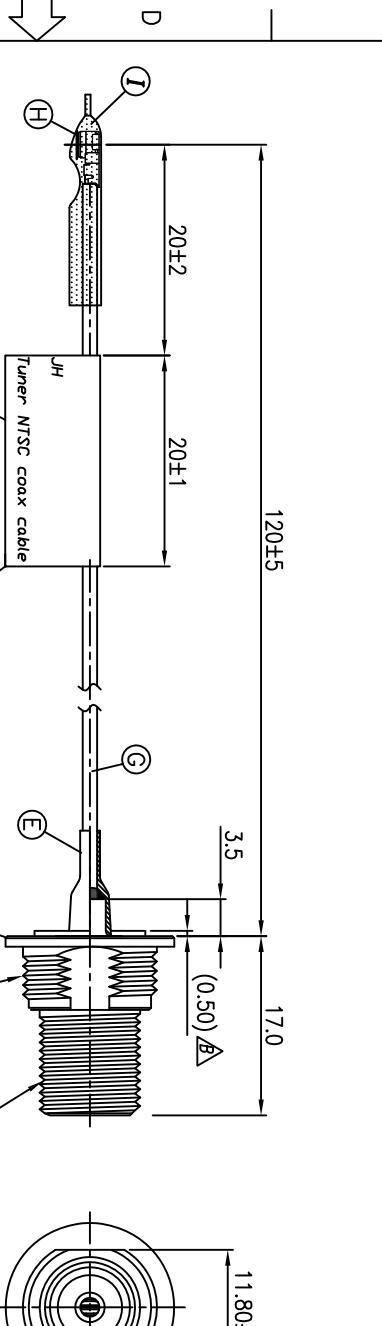
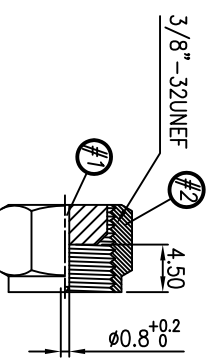


PART NO.:
2RF1010-015103F

NO.1 STATEMENT
0 Hold Back
1 STRAIGHT 75Ω
5 ASSEMBLY FOR CABLE+PANEL
1 JACK
03 SERIES NO.
F HALOGEN FREE



RECOMMENDED
MOUNTING HOLE



MATING PLUG

Contact Pin Definition

PIN	FUNCTION
#1	Signal
#2	Ground

- SPECIFICATIONS: (TYPE F)**
1. IMPEDANCE : 75Ω [for NTSC NOMINAL
 2. FREQUENCY RANGE : 0~1 GHz
 3. OTHER GENERAL SPEC. TO REFER "2RF1010-X151XXF SERIES SPEC"
 4. TO CONFORM TO THE SINGATRON HSF SPEC.
 5. PRODUCT IDENTIFICATION LABEL ON PACK :



REV.	ECN NO OR DESCRIPTION	REVISED	DATE
A	PDR NO.:1101026-17B	BERYL	2011.03.30
B	PRODUCT RELEASE	BERYL	2012.01.17
	ECN NO.1110053		

K	NUT	1	ZINC ALLOY	NICKEL PLATING
J	WASHER	1	SPCC 0.5T	NICKEL PLATING
I	PROTECT TUBE	1	Φ3.0x20L	TRANSPARENT COLOR
H	Mirco Coaxial Conn.	1	(50 ohm)Brass	GOLD PLATING
G	WIRE	1	Φ1.3T Coaxial Cable	GRAY COLOR
F	LABEL	1	20x18mm	WHITE COLOR
E	HEAT SHRINK TUBE	1	Φ2.5x10L	BLACK COLOR
D	ALLOY STOPPER	1	ZINC ALLOY	NICKEL PLATING
C	CENTER CONTACT	1	PHOSPHOR BRONZE 0.2T	GOLD FLASH
B	INSULATOR	1	POLYCARBONATE_HF	WHITE COLOR
A	ALLOY BODY	1	ZINC ALLOY	NICKEL PLATING
NO	DESCRIPTION	QTY	MATERIAL	PLATING & COLOR

UNLESS OTHERWISE SPECIFIED TOLERANCES

DECIMALS:	ANGLES:
X : ±0.5	X : ±2°
X.X : ±0.3	X.X : ±1°
X.XX : ±0.2	

Singatron Enterprise Co., Ltd.
信音企業股份有限公司

Cable Assembly(F)

TITLE	2RF1010-015103F
DWN	2012.11.17
CHKD	2012.11.19
APVD	2012.11.19
SCALE: 2:1	UNIT: mm
SIZE: A3	SHEET: 1 OF 1
	REV: B

CUSTOMER COPY