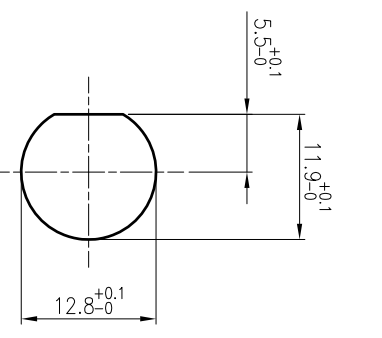
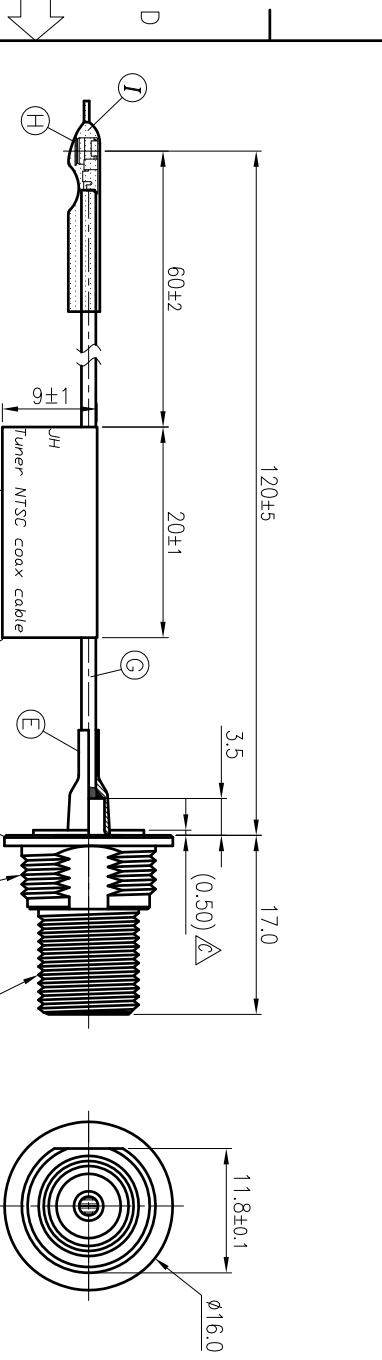


**PART NO.**  
**2RF1010-015104F**

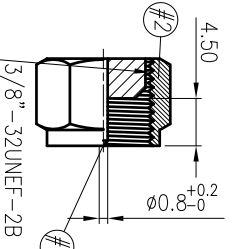
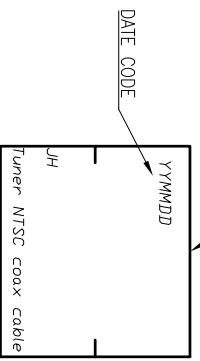
F: HALOGEN FREE  
 SERIES NO.  
 FREQUENCY  
 1: LOW  
 ASSEMBLY:  
 5: FOR CABLE+PANEL

TYPE  
 1: STRAIGHT 75Ω

| REV. | ECN NO OR DESCRIPTION | REVISED | DATE       |
|------|-----------------------|---------|------------|
| A    | PDR NO. T110107-8A    | BERYL   | 2011.03.29 |
| B    | PRODUCT RELEASE       | BERYL   | 2011.12.23 |
| C    | ECN NO. T110061       | BERYL   | 2012.01.17 |



RECOMMENDED  
MOUNTING HOLE



- SPECIFICATIONS: (RF CONN. F TYPE)
1. IMPEDANCE : 75 Ω for NTSC NOMINAL
  2. FREQUENCY RANGE : 0~1 GHz
  3. OTHER GENERAL SPEC. TO REFER "2RF1010-X151XXF SPEC."
  4. TO CONFORM TO THE SINGATRON HSF SPEC.
  5. PRODUCT IDENTIFICATION LABEL ON PACKAGING:



Contact Pin Definition

| PIN | FUNCTION |
|-----|----------|
| #1  | Signal   |
| #2  | Ground   |

| NO | DESCRIPTION         | QTY | MATERIAL             | PLATING & COLOR   |
|----|---------------------|-----|----------------------|-------------------|
| K  | NUT                 | 1   | ZINC ALLOY           | NICKEL PLATING    |
| J  | WASHER              | 1   | SPCC 0.5t            | NICKEL PLATING    |
| I  | EP PROTECT TUBE     | 1   | Ø3.0x20L             | TRANSPARENT COLOR |
| H  | Micro Coaxial Conn. | 1   | (50 ohm) Brass       | GOLD PLATING      |
| G  | WIRE                | 1   | Ø1.37 Coaxial Cable  | GRAY COLOR        |
| F  | LABEL               | 1   | 20x18 /B             | WHITE COLOR       |
| E  | HEAT SHRINK TUBE    | 1   | Ø2.5x10L             | BLACK COLOR       |
| D  | ALLOY STOPPER       | 1   | ZINC ALLOY           | NICKEL PLATING    |
| C  | CENTER CONTACT      | 1   | PHOSPHOR BRONZE 0.2t | GOLD FLASH        |
| B  | INSULATOR           | 1   | POLYCARBONATE_HF     | WHITE COLOR       |
| A  | ALLOY BODY          | 1   | ZINC ALLOY           | NICKEL PLATING    |

UNLESS OTHERWISE SPECIFIED TOLERANCES

Singaton Enterprise Co., Ltd.  
 信亨企業股份有限公司

Cable Assembly(F+EP)

| TITLE | DECIMALS: | ANGLES:   |
|-------|-----------|-----------|
| DWN   | :.±0.5    | X : ±2°   |
| CHKD  | :±0.3     | X.X : ±1° |
| APVD  | :±0.2     | X.XX      |

| DATE       | SCALE | UNIT | SHEET  | REV. |
|------------|-------|------|--------|------|
| 2012.11.19 | 2:1   | mm   | 1 OF 1 | C    |

CUSTOMER COPY