

PART NO.
2RF1010-015105F

TYPE: STRAIGHT 75Ω

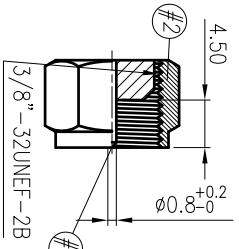
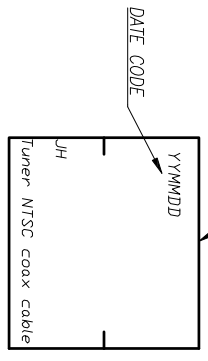
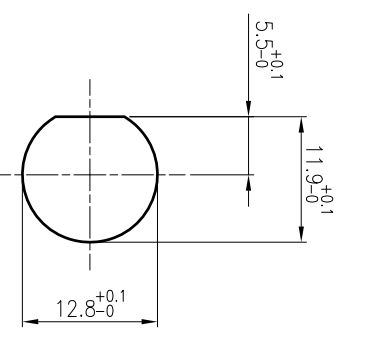
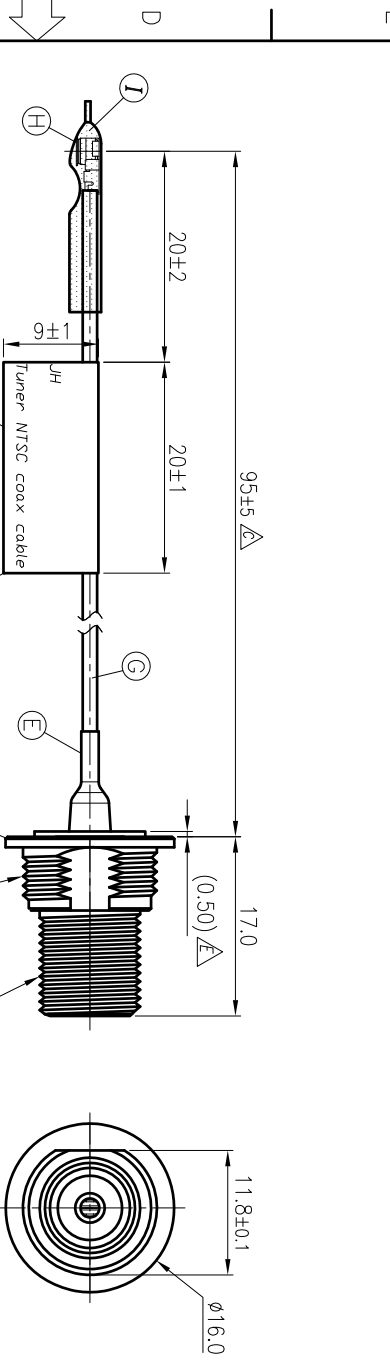
F: HALOGEN FREE

SERIES NO.

FREQUENCY: 1: LOW

ASSEMBLY: 5: FOR CABLE+PANEL

REV.	ECN NO OR DESCRIPTION	REVISED	DATE
C	ECN NO.T110013 Modify wire length 90±5 → 95±5	BERYL	2011.07.06
D	ECN NO.T110061	BERYL	2011.12.23
E	ECN NO.T110053	BERYL	2012.01.17



- SPECIFICATIONS: (RF CONN. F TYPE)**
1. IMPEDANCE : 75 Ω for NTSC NOMINAL
 2. FREQUENCY RANGE : 0~1 GHz
 3. OTHER GENERAL SPEC. TO REFER "2RF1010-X151XXF SPEC."
 4. TO CONFORM TO THE SINGATRON HSF SPEC.
 5. PRODUCT IDENTIFICATION LABEL ON PACKAGING:



Contact Pin Definition

PIN	FUNCTION
#1	Signal
#2	Ground

RECOMMENDED MOUNTING HOLE

NO	DESCRIPTION	QTY	MATERIAL	PLATING & COLOR
K	NUT	1	ZINC ALLOY	NICKEL PLATING
J	WASHER	1	SPCC 0.5t	NICKEL PLATING
I	EP PROTECT TUBE	1	Ø3.0x20L	TRANSPARENT COLOR
H	Micro Coaxial Conn.	1	(50 ohm)Brass	GOLD PLATING
G	WIRE	1	Ø1.37 Coaxial Cable	GRAY COLOR
F	LABEL	1	20x18 /Δ	WHITE COLOR
E	HEAT SHRINK TUBE	1	Ø2.5x10L	BLACK COLOR
D	ALLOY STOPPER	1	ZINC ALLOY	NICKEL PLATING
C	CENTER CONTACT	1	PHOSPHOR BRONZE 0.2t	GOLD FLASH
B	INSULATOR	1	POLYCARBONATE_HF	WHITE COLOR
A	ALLOY BODY	1	ZINC ALLOY	NICKEL PLATING

UNLESS OTHERWISE SPECIFIED TOLERANCES

Singatron Enterprise Co., Ltd.
信亨企業股份有限公司

Cable Assembly(F+EP)

DECIMALS:	ANGLES:
X : ±0.5	X : ±2°
X.X : ±0.3	X.X : ±1'
X.XX : ±0.2	

TITLE	REV.
DWN	BERYL 2012.11.17
CHKD	LEF 2012.11.19
APVD	AMEBA 2012.11.19

SCALE 2:1 UNIT: mm

SIZE: A3 SHEET: 1 OF 1 REV: E

CUSTOMER COPY