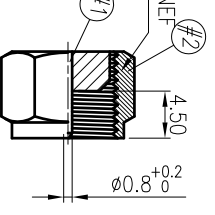
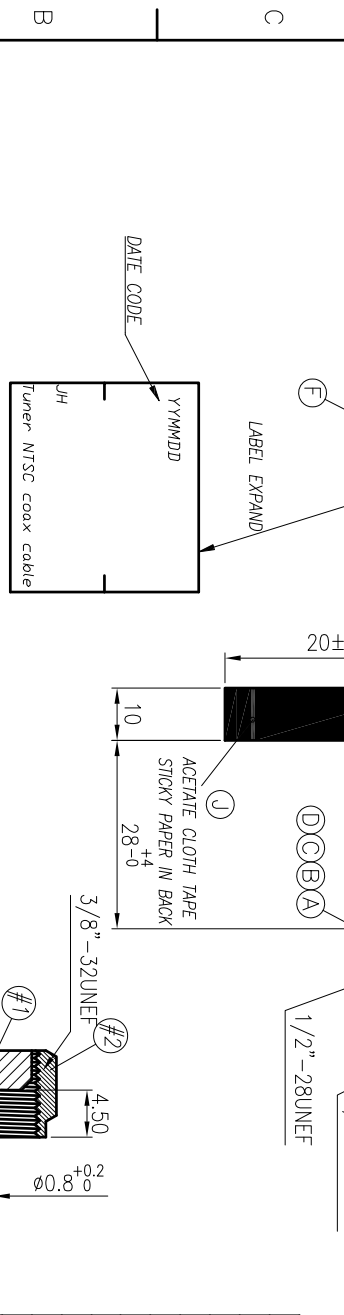
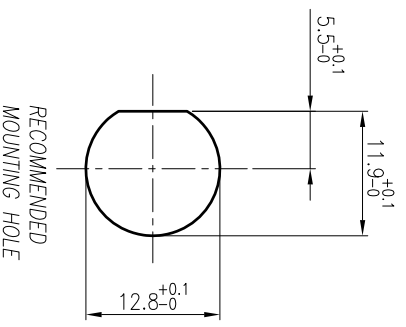
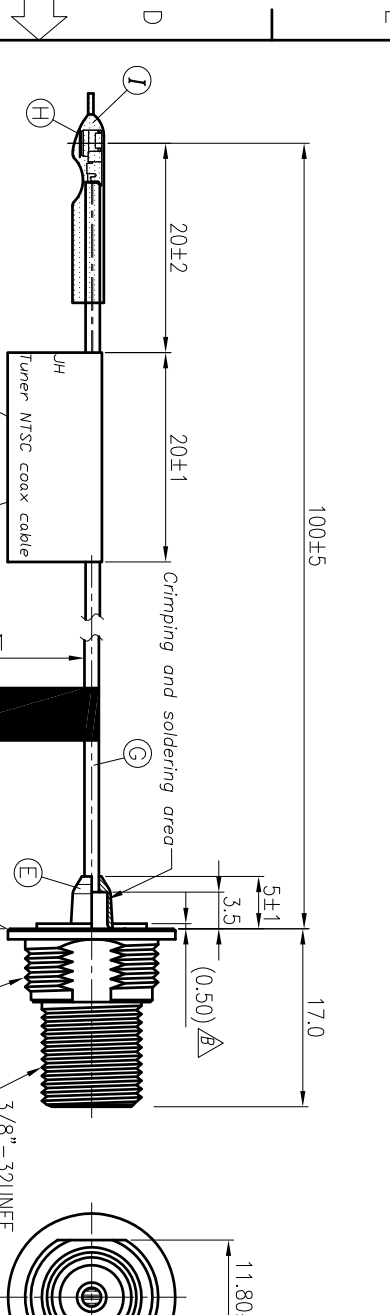


PART NO.:
2RF1010-015107F

NO.:	STATEMENT
0	Hold Back
1	STRAIGHT 75Ω
5	ASSEMBLY FOR CABLE+PANEL
1	JACK
07	SERIES NO.
F	HALOGEN FREE



SPECIFICATIONS: (TYPE F)

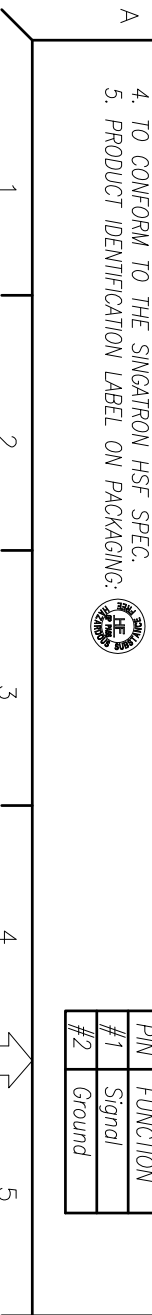
1. IMPEDANCE : 75 Ω for NTSC NOMINAL
2. FREQUENCY RANGE : 0~1 GHz
3. OTHER GENERAL SPEC. TO REFER "2RF1010-X151XXF SERIES SPEC".
4. TO CONFORM TO THE SINGATRON HSF SPEC.
5. PRODUCT IDENTIFICATION LABEL ON PACKAGING:



Contact Pin Definition

PIN	FUNCTION
#1	Signal
#2	Ground

MATING PLUG



REV.	ECN NO. OR DESCRIPTION	REVISED	DATE
A	PDR NO. T110518-2B	BERYL	2011.09.30
B	PRODUCT RELEASE		
	ECN NO. T110053	BERYL	2012.01.17

L	NUT	1	ZINC ALLOY	NICKEL PLATING
K	WASHER	1	SPCC 0.5T	NICKEL PLATING
J	ACETATE CLOTH TAPE	1	0.12t	BLACK COLOR
I	PROTECT TUBE	1	Ø3.0x20L	TRANSPARENT COLOR
H	Mirco Coaxial Conn.	1	(50 ohm) Brass	GOLD PLATING
G	WIRE	1	Ø1.37 Coaxial Cable	GRAY COLOR
F	LABEL	1	20x18mm	WHITE COLOR
E	HEAT SHRINK TUBE	1	Ø2.5x5L	BLACK COLOR
D	COPPER STOPPER	1	ZINC ALLOY	NICKEL PLATING
C	CENTER CONTACT	1	PHOSPHOR BRONZE	GOLD FLASH
B	INSULATOR	1	POLYCARBONATE HF	WHITE COLOR
A	ALLOY BODY	1	ZINC ALLOY	NICKEL PLATING
NO	DESCRIPTION	QTY	MATERIAL	PLATING & COLOR

UNLESS OTHERWISE SPECIFIED TOLERANCES

DECIMALS:	ANGLES:
X : ±0.5	X : ±2°
XX : ±0.3	XX : ±1°
XXX : ±0.2	

Singatron Enterprise Co., Ltd.
信音企業股份有限公司

Cable Assembly(F)

DWN	BERL 2012.11.7	PART NO. 2RF1010-015107F
CHKD	LEF 2012.1.19	SCALE 2:1
APVD	AMEBA 2012.1.18	SIZE: A3
		SHEET: 1 OF 1
		REV: B

CUSTOMER COPY