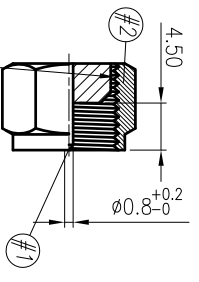
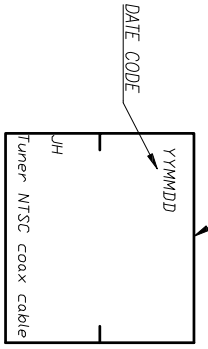
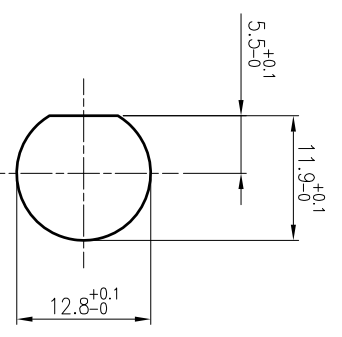
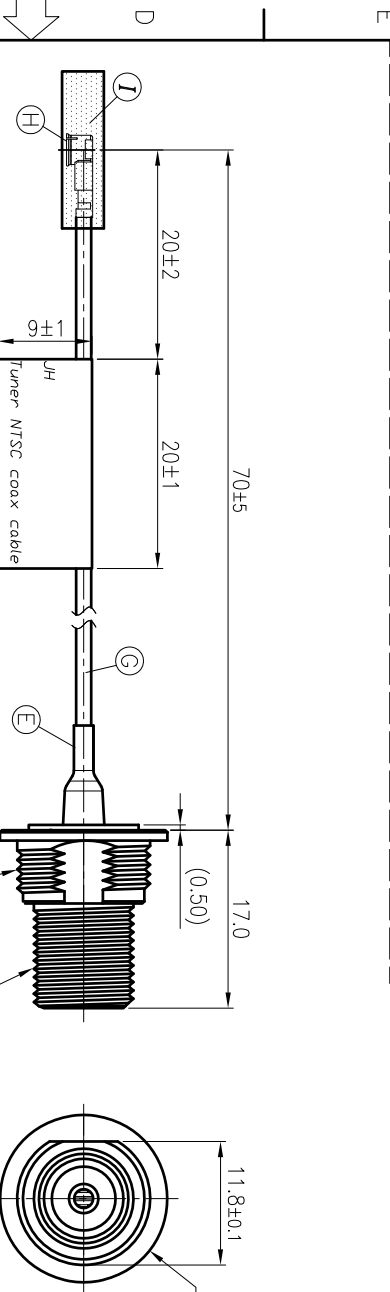


PART NO.:
2RF1010-015108F

NO.:	STATEMENT
0	Hold Back
1	STRAIGHT 75 Ω
5	ASSEMBLY FOR CABLE+PANEL
1	JACK
08	SERIES NO.
F	HALOGEN FREE

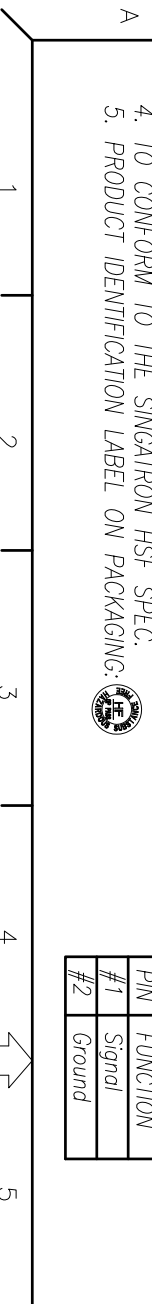


- SPECIFICATIONS:**
1. IMPEDANCE : 75 Ω for NTSC NOMINAL
 2. FREQUENCY RANGE : 0~2.15 GHz
 3. OTHER GENERAL SPEC. TO REFER "2RF1010-015108F SPEC".
 4. TO CONFORM TO THE SINGAITRON HSF SPEC.
 5. PRODUCT IDENTIFICATION LABEL ON PACKAGING:



Contact Pin Definition

PIN	FUNCTION
#1	Signal
#2	Ground



REV.	ECN NO. OR DESCRIPTION	REVISED	DATE
A	PDR NO.1110627-4A PRODUCT RELEASE	BERYL	2012.04.09

K	NUT	1	ZINC ALLOY	NICKEL PLATING
J	WASHER	1	SPCC 0.5t	NICKEL PLATING
I	PROTECT TUBE	1	$\phi 3.5 \times 15L$	TRANSPARENT COLOR
H	Micro Coaxial Conn. (HFL)	1	(75 ohm) Brass	SILVER PLATING
G	WIRE (75 ohm)	1	$\phi 1.48$ Coaxial Cable	WHITE COLOR
F	LABEL	1	20x18mm	WHITE COLOR
E	HEAT SHRINK TUBE	1	$\phi 2.5 \times 10L$	BLACK COLOR
D	ALLOY STOPPER	1	ZINC ALLOY	NICKEL PLATING
C	CENTER CONTACT	1	PHOSPHOR BRONZE 0.2t	GOLD FLASH
B	INSULATOR	1	THERMOPLASTIC HF	WHITE COLOR
A	ALLOY BODY	1	ZINC ALLOY	NICKEL PLATING
NO	DESCRIPTION	QTY	MATERIAL	PLATING & COLOR

UNLESS OTHERWISE SPECIFIED TOLERANCES

Singaitron Enterprise Co., Ltd.
 信音企業股份有限公司

DECIMALS:	ANGLES:	TITLE
X : ± 0.5	X : $\pm 2^\circ$	Cable Assembly(F+H.FL)
X.X : ± 0.3	X.X : $\pm 1^\circ$	DWN BERN 2012.4.9 PART NO.2RF1010-015108F
X.XX : ± 0.2		CHKD JEF 2012.4.9 SCALE 2:1 UNIT: mm
		APVD ANEBA 2012.4.9 SIZE: A3 SHEET: 1 OF 1 REV: A

CUSTOMER COPY