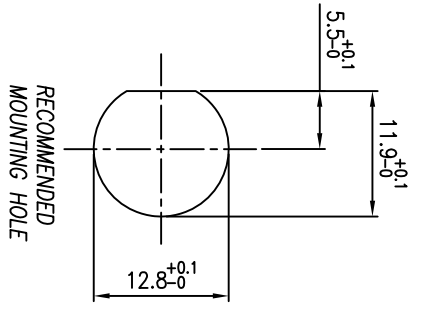
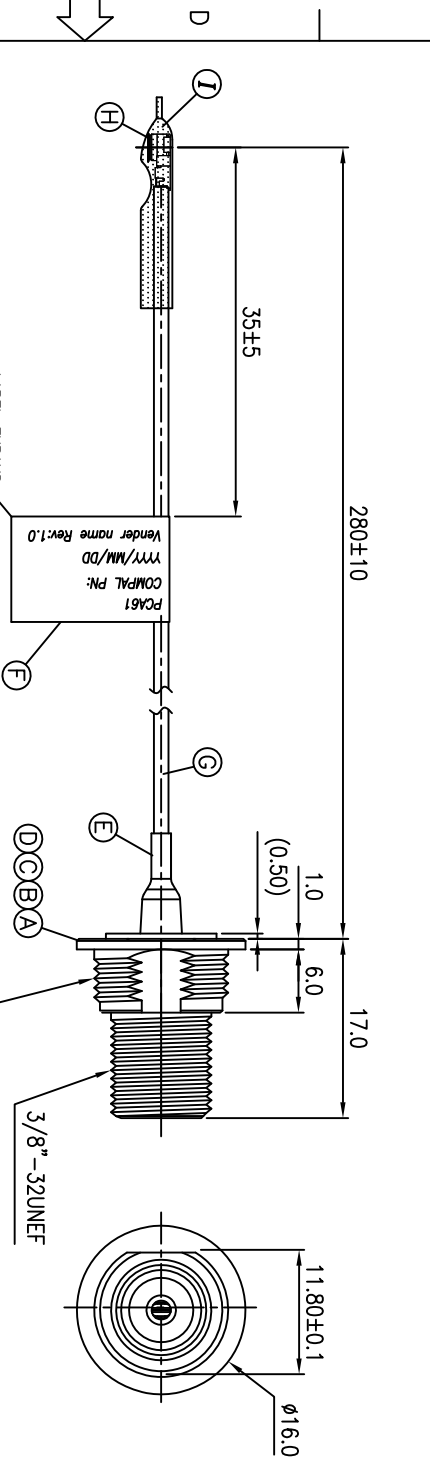
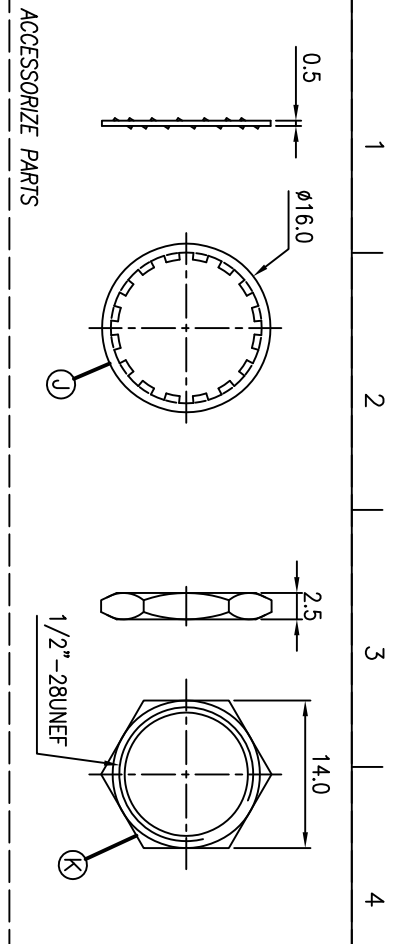
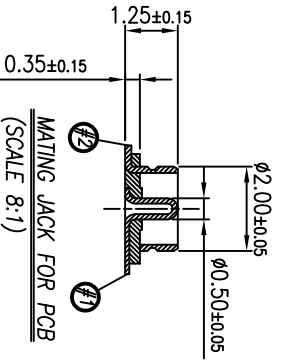


PART NO.:
2RF1010-015116F

NO.:	STATEMENT
0	Hold Back
1	STRAIGHT 75Ω
5	ASSEMBLY FOR CABLE+PANEL
1	JACK
16	SERIES NO.
F	HALOGEN FREE

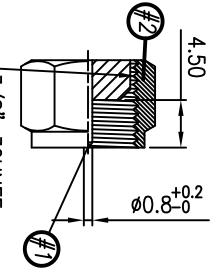


PC661 COMPAL P/N: yyy/MM/DD Vendor name Rev:1.0
 LABEL EXPAND
 PC661 COMPAL P/N: yyy/MM/DD Vendor name Rev:1.0



MATING JACK FOR PCB
 (SCALE 8:1)

Pin	FUNCTION
#1	Signal
#2	Ground



MATING PLUG
 3/8"-32UNEF

Pin	FUNCTION
#1	Signal
#2	Ground

SPECIFICATIONS: (RF CONN. F TYPE)
 1. IMPEDANCE : 75 Ω for NTSC NOMINAL
 2. FREQUENCY RANGE : 0~1 GHz
 3. OTHER GENERAL SPEC. TO REFER "2RF1010-X151XXF SPEC."
 4. TO CONFORM TO THE SINGATRON HSF SPEC.
 5. PRODUCT IDENTIFICATION LABEL ON PACKAGING:

CONTACT PIN DEFINITION

Pin	FUNCTION
#1	Signal
#2	Ground

NO	DESCRIPTION	QTY	MATERIAL	PLATING & COLOR
K	NUT	1	ZINC ALLOY	NICKEL PLATING
J	WASHER	1	SPCC 0.5T	NICKEL PLATING
I	PROTECT TUBE	1	Φ3.0x20L	TRANSPARENT COLOR
H	MRCO COAXIAL CONN.	1	BRASS	GOLD PLATING
G	WIRE	1	Φ1.37 COAXIAL CABLE	GRAY COLOR
F	LABEL	1	50.8x12.7mm	WHITE COLOR
E	HEAT SHRINK TUBE	1	Φ2.5x10L	BLACK COLOR
D	ALLOY STOPPER	1	ZINC ALLOY	NICKEL PLATING
C	CENTER CONTACT	1	PHOSPHOR BRONZE	GOLD FLASH
B	INSULATOR	1	POLYCARBONATE_HF	WHITE COLOR
A	ALLOY BODY	1	ZINC ALLOY	NICKEL PLATING
NO	DESCRIPTION	QTY	MATERIAL	PLATING & COLOR

UNLESS OTHERWISE SPECIFIED TOLERANCES

DECIMALS:	ANGLES:
X : ±0.5	X : ±2°
X.X : ±0.3	X.X : ±1°
X.XX : ±0.2	

Singatron Enterprise Co., Ltd.
 信音企業股份有限公司

Cable Assembly(F)

TITLE	REV: A
DWN	DATE: 2012/2/6
CHKD	SCALE: 2:1
APVD	SHEET: 1 OF 1

CUSTOMER COPY