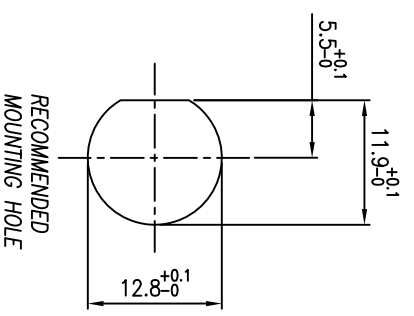
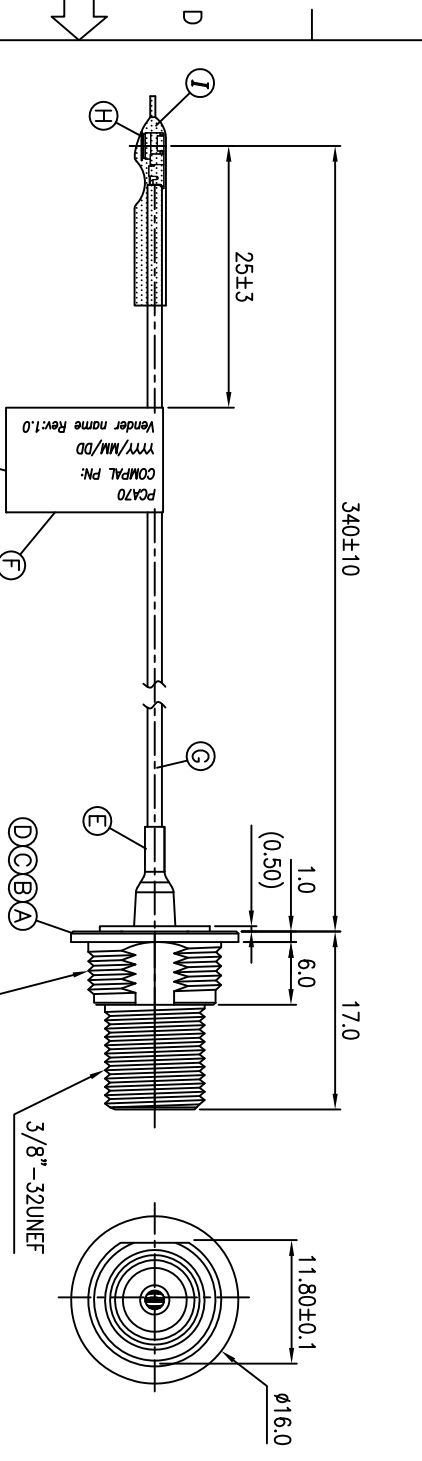


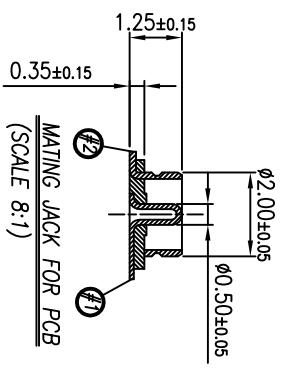
PART NO.:
2RF1010-015118F

NO.:	STATEMENT
0	Hold Back
1	STRAIGHT 75Ω
5	ASSEMBLY FOR CABLE+PANEL
1	JACK
18	SERIES NO.
F	HALOGEN FREE

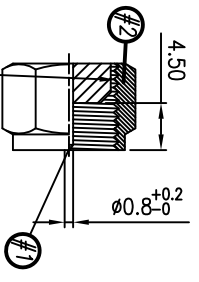


PCAO70	COMPL PN:	YYY/MM/DD	Vendor name	Rev:1.0
PCAO70	COMPL PN:	YYY/MM/DD	Vendor name	Rev:1.0

LABEL EXPAND

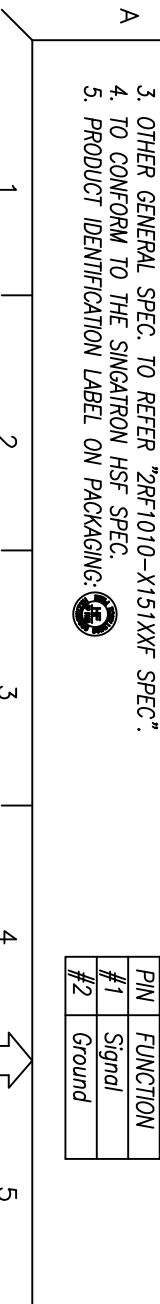


Contact Pin Definition	
PIN FUNCTION	#1 Signal
	#2 Ground



Contact Pin Definition	
PIN FUNCTION	#1 Signal
	#2 Ground

- SPECIFICATIONS: (RF CONN. F TYPE)
1. IMPEDANCE : 75 Ω for NTSC NOMINAL
 2. FREQUENCY RANGE : 0~1 GHz
 3. OTHER GENERAL SPEC. TO REFER "2RF1010-X151XXF SPEC."
 4. TO CONFORM TO THE SINGATRON HSF SPEC.
 5. PRODUCT IDENTIFICATION LABEL ON PACKAGING:



REV/ECN NO	OR DESCRIPTION	REVISED	DATE
A	PDR NO.T11102-5B	BERYL	2012.02.06
PRODUCT RELEASE			

K	NUT	1	ZINC ALLOY	NICKEL PLATING
J	WASHER	1	SPPC 0.5T	NICKEL PLATING
I	PROTECT TUBE	1	Ø3.0x20L	TRANSPARENT COLOR
H	MIFCO COAXIAL CONN.	1	BRASS	GOLD PLATING
G	WIRE	1	Ø1.37 COAXIAL CABLE	GRAY COLOR
F	LABEL	1	50.8x12.7mm	WHITE COLOR
E	HEAT SHRINK TUBE	1	Ø2.5x10L	BLACK COLOR
D	ALLOY STOPPER	1	ZINC ALLOY	NICKEL PLATING
C	CENTER CONTACT	1	PHOSPHOR BRONZE	GOLD FLASH
B	INSULATOR	1	POLYCARBONATE_HF	WHITE COLOR
A	ALLOY BODY	1	ZINC ALLOY	NICKEL PLATING
NO	DESCRIPTION	QTY	MATERIAL	PLATING & COLOR

UNLESS OTHERWISE SPECIFIED TOLERANCES

DECIMALS:	ANGLES:
X : ±0.5	X : ±2°
X.X : ±0.3	X.X : ±1'
X.XX : ±0.2	

TITLE	Cable Assembly(F)
DWN	REV: 2012/26 PART NO.2RF1010-015118F
CHKD	LEFT: 2012/26 SCALE 2:1 UNIT: mm
APVD	AMEIA: 2012/26 SIZE: A3 SHEET: 1 OF 1 REV: A

Singatron Enterprise Co., Ltd.
信音企業股份有限公司

CUSTOMER COPY