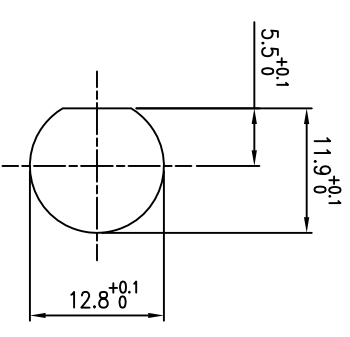
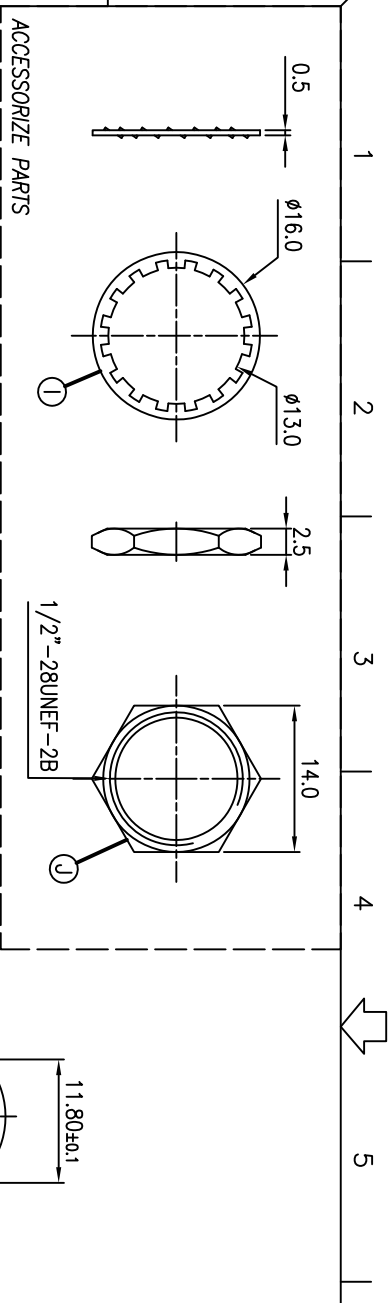


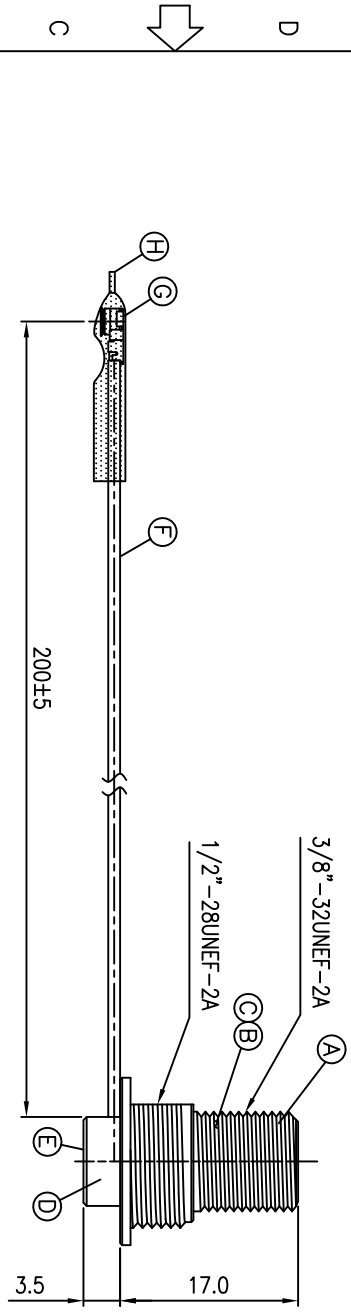
REV.	ECN NO.	OR DESCRIPTION	REVISED	DATE
A		PRODUCT RELEASE	BERYL	2010.05.06
B	ECN NO.1100017		BERYL	2011.03.28



RECOMMENDED MOUNTING HOLE

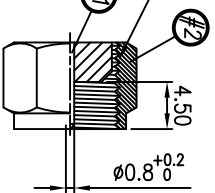
PART NO.
2RF1010-062000

TYPE 1:
0: STD JACK
20: FOR CABLE
TYPE 2:
6: RIGHT ANGLE 75Ω



SPECIFICATIONS: (RF CONN. F TYPE)

1. IMPEDANCE : 75Ω for N75C NOMINAL.
2. FREQUENCY RANGE : 0~2 GHz
3. TEMPERATURE RANGE : -55~+125 °C
4. VSWR : 1.5 (Max.)
5. INSERTION LOSS : 0.5 dB AT 1 GHz (100% TEST)
6. OTHER GENERAL SPEC. TO REFER "2RF1010-062000XX SPEC".
7. TO CONFORM TO THE EU RoHS DIRECTIVE.
8. PRODUCT IDENTIFICATION LABEL ON PACKAGING:



MATING PLUG

Contact Pin Definition

PIN	FUNCTION
#1	Signal
#2	Ground

NO	DESCRIPTION	MATERIAL	PLATING & COLOR
J	NUT	ZINC ALLOY	NICKEL PLATING
I	WASHER	SPCC 0.5t	NICKEL PLATING
H	EP PROTECT TUBE	φ3.0x20L	TRANSPARENT COLOR
G	Micro Coaxial Conn.	(50 ohm)Brass	GOLD FLASH
F	WIRE (75 ohm)	φ1.37 Coaxial Cable	BLACK COLOR
E	COPPER COVER	BRASS	NICKEL PLATING
D	COPPER STOPPER	BRASS	NICKEL PLATING
C	CENTER CONTACT	BRASS	GOLD FLASH
B	INSULATOR	TEFLON-PTFE	WHITE COLOR
A	COPPER BODY	BRASS	NICKEL PLATING
NO	DESCRIPTION	MATERIAL	PLATING & COLOR

UNLESS OTHERWISE SPECIFIED TOLERANCES

DECIMALS: ANGLES: X : ±0.5 X : ±2° X.X : ±0.3 X.X : ±1' X.XX : ±0.2

Singatron Enterprise Co., Ltd.
信音企業股份有限公司

Cable Assembly(F+EP)

TITLE	SCALE	UNIT	REV.
DWN	2:1	mm	B
CHKD	2:1	mm	B
APVD	2:1	mm	B

CUSTOMER COPY