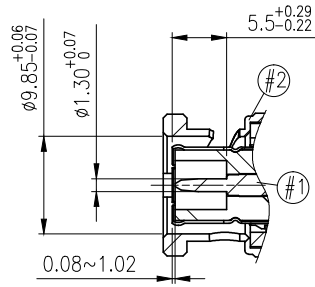
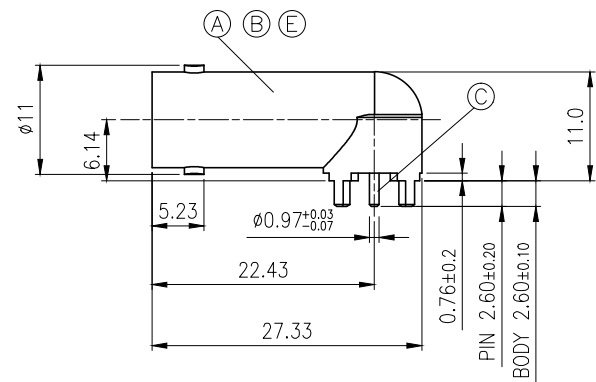
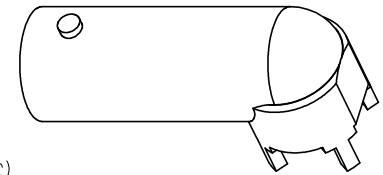


REV.	ECN NO OR DESCRIPTION	REVISED	DATE
A	PDR NO.S111208-8A	Soldier	2012.10.30
B	ECN NO.S130367	Soldier	2013.06.26
C	ECN NO.160722-C	YUREN	2016.11.4

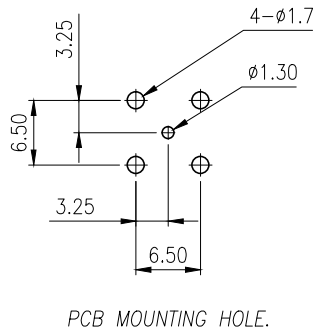
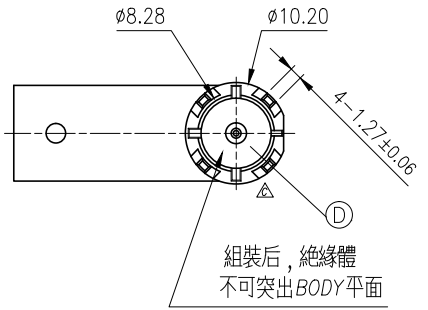


MATING PLUG
Contact Pin Definition

PIN	FUNCTION
#1	Signal
#2	Ground



- SPECIFICATIONS: (RF CONN. BNC)**
- ELECTRICAL CHARACTERISTICS:**
 - 1-1. IMPEDANCE : 75 OHM
 - 1-2. VSWR : 1.5 MAX.
 - 1-3. FREQUENCY RANGE: 0~1 GHz.
 - 1-4. DIELECTRIC WITHSTANDING VOLTAGE : 1500 VRMS , MIN.
 - ENVIRONMENTAL CHARACTERISTICS:**
 - 2-1. TEMPERATURE RANGE : -40~+125 °C
 - MECHANICAL REQUIREMENTS:**
 - 3-1. LIFE TEST: 500 CYCLES MIN.
 - 3-2. ENGAGEMENT FORCE : 3 Kgf max. (30 N max.)
(USE MATING PLUG EXCEPT #2)
 - 3-3. DISENGAGEMENT FORCE : 0.1 Kgf min. (1 N min.)
(USE MATING PLUG ONLY #1)
 - OTHER GENERAL SPEC. TO REFER "2RF3005-061001H SPEC".**
 - TO CONFORM TO THE EU RoHS DIRECTIVE.**
 - PRODUCT IDENTIFICATION LABEL ON PACKAGING: RoHS**
 - PACKAGING BY BAG**



E	C-RING	1	ZINC DIECAST	Ni 60 u" Min.
D	INSULATOR	1	POM	NATURAL
C	CONTACT PIN	1	BRASS	Au 1.5u" Min.
B	INSULATOR	1	POM	NATURAL
A	BODY	1	ZINC DIECAST	Ni 100 u" Min.
NO	DESCRIPTION	QTY	MATERIAL	PLATING & COLOR

UNLESS OTHERWISE SPECIFIED TOLERANCES		Singatron Enterprise Co., Ltd. 信音企業股份有限公司		
DECIMALS:	ANGLES:	TITLE: BNC JACK		
X :±0.5	X :±2°	DWN	YUREN	PART NO.2RF3005-061001H
X.X :±0.3	X.X :±1°	CHKD	CERRY	SCALE 2:1 UNIT: mm
X.XX :±0.2		APVD	LIAO	SIZE: A3 SHEET:1 OF 1 REV:C
CUSTOMER COPY				