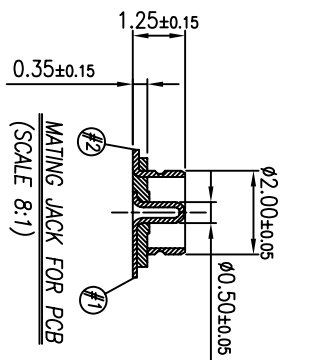
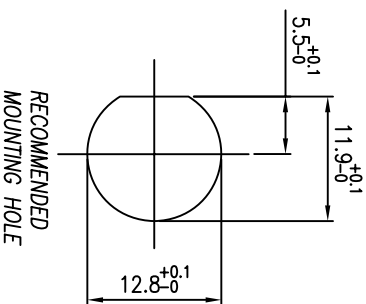
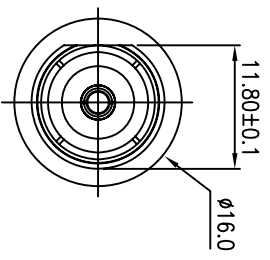
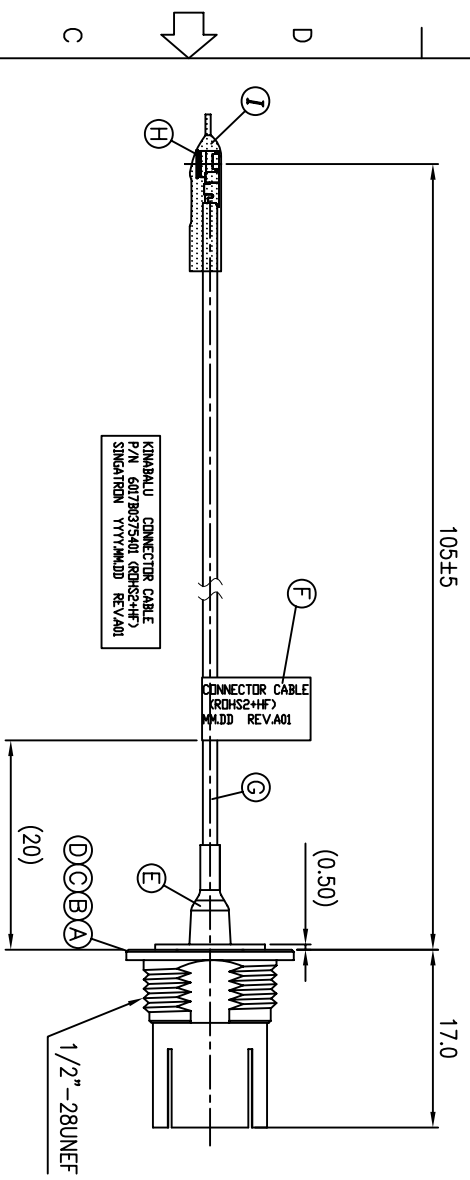


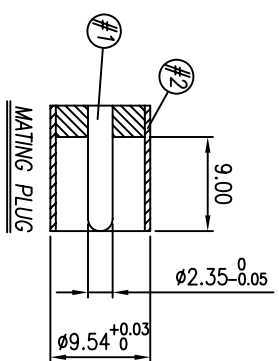
ACCESSORIZE PARTS

- SPECIFICATIONS: (TYPE PAL)
1. IMPEDANCE : 75 ohm for IEC NORMAL
 2. FREQUENCY RANGE : 0~2 GHz (PART PAL JACK)
 3. OTHER GENERAL SPEC. TO REFER "REF3009-015005F SPEC."
 4. TO CONFORM TO THE SINGATRON HAZARDOUS SUBSTANCE FREE SPEC.
 5. PRODUCT IDENTIFICATION LABEL ON PACKAGING:



Contact Pin Definition

PIN	FUNCTION
#1	Signal
#2	Ground



Contact Pin Definition

PIN	FUNCTION
#1	Signal
#2	Ground

K	NUT	1	ZINC ALLOY	NICKEL PLATING
J	WASHER	1	SPCC 0.5t	NICKEL PLATING
I	PROTECT TUBE	1	Ø2.5x15L	TRANSPARENT COLOR
H	Mirco Coaxial Conn.	1	(50 ohm)Brass	GOLD PLATING
G	WIRE (50 ohm)	1	Ø1.37 Coaxial Cable	GRAY COLOR
F	LABEL	1	L20xW6	WHITE COLOR
E	HEAT SHRINK TUBE	1	Ø2.5x10L	BLACK COLOR
D	ALLOY STOPPER	1	ZINC ALLOY	NICKEL PLATING
C	CENTER CONTACT	1	PHOSPHOR BRONZE 0.2t	GOLD FLASH
B	INSULATOR	1	POLYCARBONATE_HF	WHITE COLOR
A	ALLOY BODY	1	ZINC ALLOY	NICKEL PLATING
NO	DESCRIPTION	QTY	MATERIAL	PLATING & COLOR

UNLESS OTHERWISE SPECIFIED TOLERANCES

信晉企業股份有限公司
Singatron Enterprise Co., Ltd.

DECIMALS: ANGLES:

X	:±0.5	X	:±2°
X.X	:±0.3	X.X	:±1'
X.XX	:±0.2		

TITLE: Cable Assembly(PAL)

DWN	Soldier	PART NO.2RR3009-015005F
CHKD	James	SCALE 2:1 UNIT: mm
APVD	Tony	SIZE: A3 SHEET:1 OF 1 REV: A

CUSTOMER COPY

REV.	ECN NO OR DESCRIPTION	REVISED	DATE
A	PDR NO.T120103-7A	Soldier	2012.04.11