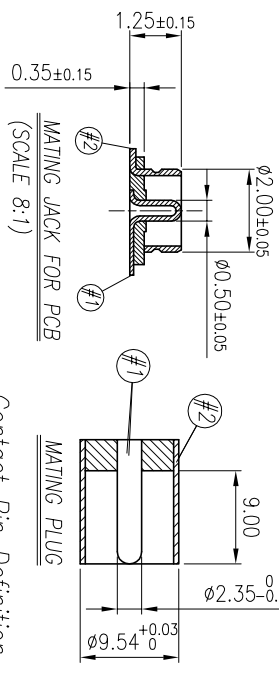
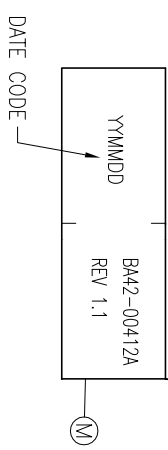
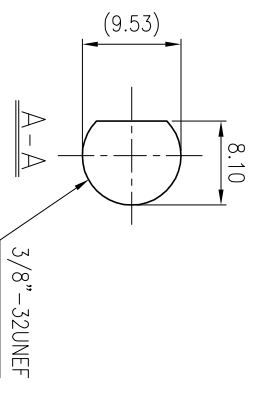
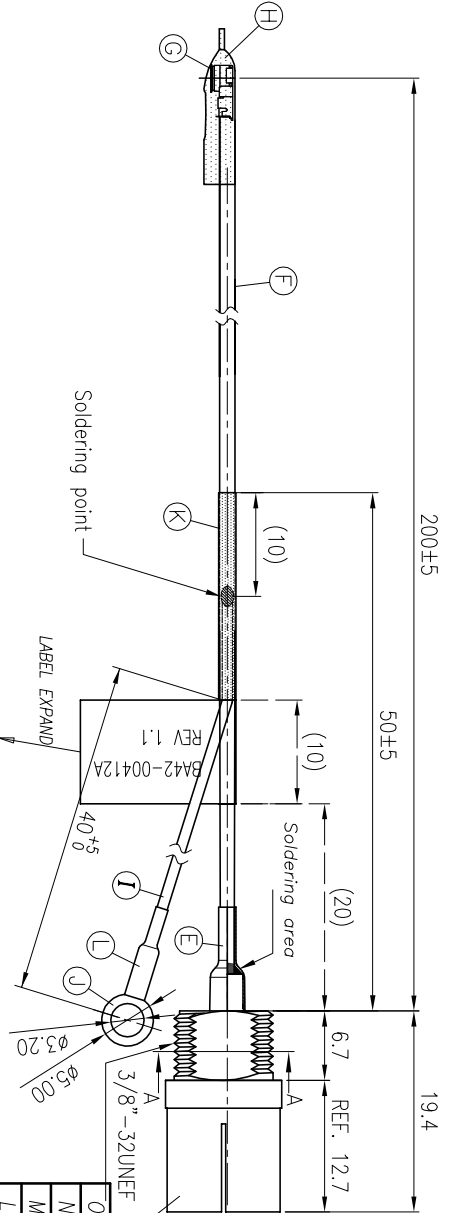


PART NO.:
2RF3009-015007F

NO.1	STATEMENT
0	Hold Back
1	STRAIGHT 75ohm
5	ASSEMBLY FOR CABLE+PANEL
0	JACK
07	SERIES NO.
F	HALOGEN FREE

- SPECIFICATIONS:**
1. IMPEDANCE : 75 ohm for IEC NOMINAL
 2. FREQUENCY RANGE : 0~1 GHz
 3. OTHER GENERAL SPEC. TO REFER "2RF3009-015007F_SPEC".
 4. TO CONFORM TO SINGATRON HAZARDOUS SUBSTANCE FREE SPECIFICATION
 5. PRODUCT IDENTIFICATION LABEL ON PACKAGING:



Contact Pin Definition
(SCALE 8:1)

PIN	FUNCTION
#1	Signal
#2	Ground

Contact Pin Definition

PIN	FUNCTION
#1	Signal
#2	Ground

Q	NUT	1	BRASS	NICKEL PLATING
N	WASHER	1	BRASS 0.5t	NICKEL PLATING
M	LABEL	1	30x10mm	WHITE COLOR
L	HEAT SHRINK TUBE	1	φ2.0x10L	BLACK COLOR
K	HEAT SHRINK TUBE	1	φ2.5x20L	BLACK COLOR
J	O-TERMINAL	1	OD: 5 ; ID: 3.2	MATTE TIN PLATING
I	WIRE	1	UL10368 26AWG	BLACK COLOR
H	PROTECT TUBE	1	φ2.5x15L	TRANSPARENT COLOR
G	Micro Coaxial Conn.	1	BRASS	GOLD PLATING
F	WIRE	1	φ1.37 Coaxial Cable	GRAY COLOR
E	HEAT SHRINK TUBE	1	φ2.5x10L	BLACK COLOR
D	COPPER STOPPER	1	BRASS	NICKEL PLATING
C	CENTER CONTACT	1	BRASS	GOLD FLASH
B	INSULATOR	1	TEFLON	WHITE COLOR
A	COPPER BODY	1	BRASS	NICKEL PLATING
NO	DESCRIPTION	QTY	MATERIAL	PLATING & COLOR

UNLESS OTHERWISE SPECIFIED TOLERANCES

DECIMALS: ANGLES:

X	:±0.5	X	:±2°
X.X	:±0.3	X.X	:±1°
X.XX	:±0.2		

信音企業股份有限公司
Singatron Enterprise Co., Ltd.

Cable Assembly(PAL)

DWN	Soldier	PART NO.2RF3009-015007F
CHKD	James	SCALE 2:1 UNIT: mm
APVD	Quon	SIZE: A3 SHEET:1 OF 1 REV: A

CUSTOMER COPY

REV.	ECN NO	OR DESCRIPTION	REVISED	DATE
A	PDR NO.T120511-1A		Soldier	2012.08.31