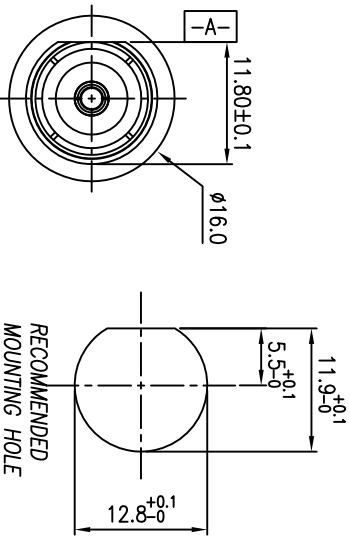
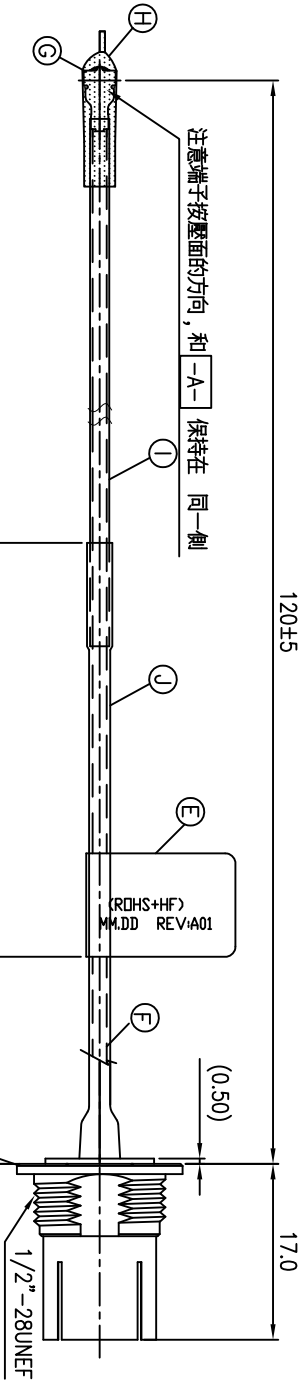
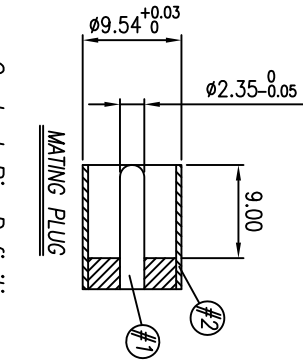
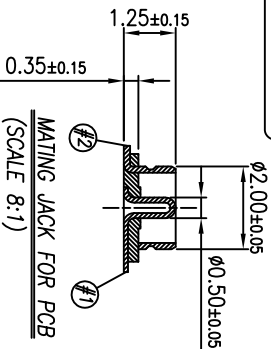


ACCESSORIZE PARTS

- SPECIFICATIONS: (TYPE PAL)
1. IMPEDANCE : 75 ohm for IEC NORMAL
 2. FREQUENCY RANGE : 0~2 GHz (PART PAL JACK)
 3. OTHER GENERAL SPEC. TO REFER "2RF3009-015103F SPEC."
 4. TO CONFORM TO THE SINGATRON HAZARDOUS SUBSTANCE FREE SPEC.
 5. PRODUCT IDENTIFICATION LABEL ON PACKAGING:



tv_ant_us_p.pcl (RDHS+HF)
P/N: 6017B0431001
SINGATRON YYYYYMMDD REV:A01



CONTACT PIN DEFINITION
(SCALE 8:1)

PIN	FUNCTION
#1	Signal
#2	Ground

CONTACT PIN DEFINITION

PIN	FUNCTION
#1	Signal
#2	Ground

L	NUIT	1	ZINC ALLOY	NICKEL PLATING
K	WASHER	1	SPCC 0.5t	NICKEL PLATING
J	HEAT SHRINK TUBE	1	φ2.5xL60	BLACK COLOR
I	HEAT SHRINK TUBE	1	φ2.0xL70	BLACK COLOR
H	PROTECT TUBE	1	φ2.5x15L	TRANSPARENT COLOR
G	Micro Coaxial Conn.	1	(50 ohm)Brass	GOLD PLATING
F	WIRE (50 ohm)	1	φ1.37 Coaxial Cable	GRAY COLOR
E	LABEL	1	L28xW10	WHITE COLOR
D	ALLOY STOPPER	1	ZINC ALLOY	NICKEL PLATING
C	CENTER CONTACT	1	PHOSPHOR BRONZE 0.2T	GOLD FLASH
B	INSULATOR	1	POLYCARBONATE HF	WHITE COLOR
A	ALLOY BODY	1	ZINC ALLOY	NICKEL PLATING
NO	DESCRIPTION		MATERIAL	PLATING & COLOR

UNLESS OTHERWISE SPECIFIED TOLERANCES

DECIMALS: ANGLES:

X	:±0.5	X	:±2°
X.X	:±0.3	X.X	:±1°
X.XX	:±0.2		

REV.	ECN NO.	OR DESCRIPTION	REVISED	DATE
A	PDR NO.T121126-9C		Soldier	2013.02.25
B	ECN NO.S130418	變更 Label 版本, 替換物料與壓面方向	Soldier	2013.09.23

Singatron Enterprise Co., Ltd.
信晉企業股份有限公司

Cable Assembly(PAL)

DWN	Solder	PART NO.2RF3009-015103F
CHKD	Solder	SCALE 2:1 UNIT: mm
APVD	Solder	SIZE: A3 SHEET: 1 OF 1 REV:B

CUSTOMER COPY