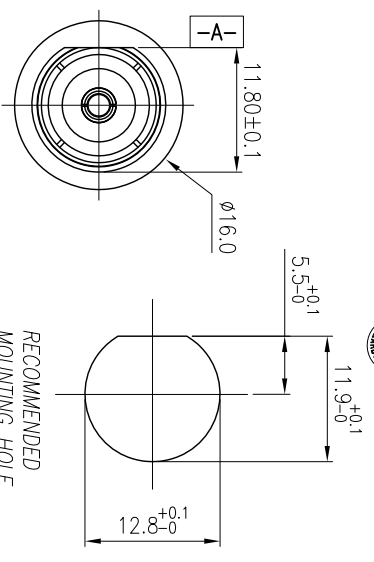
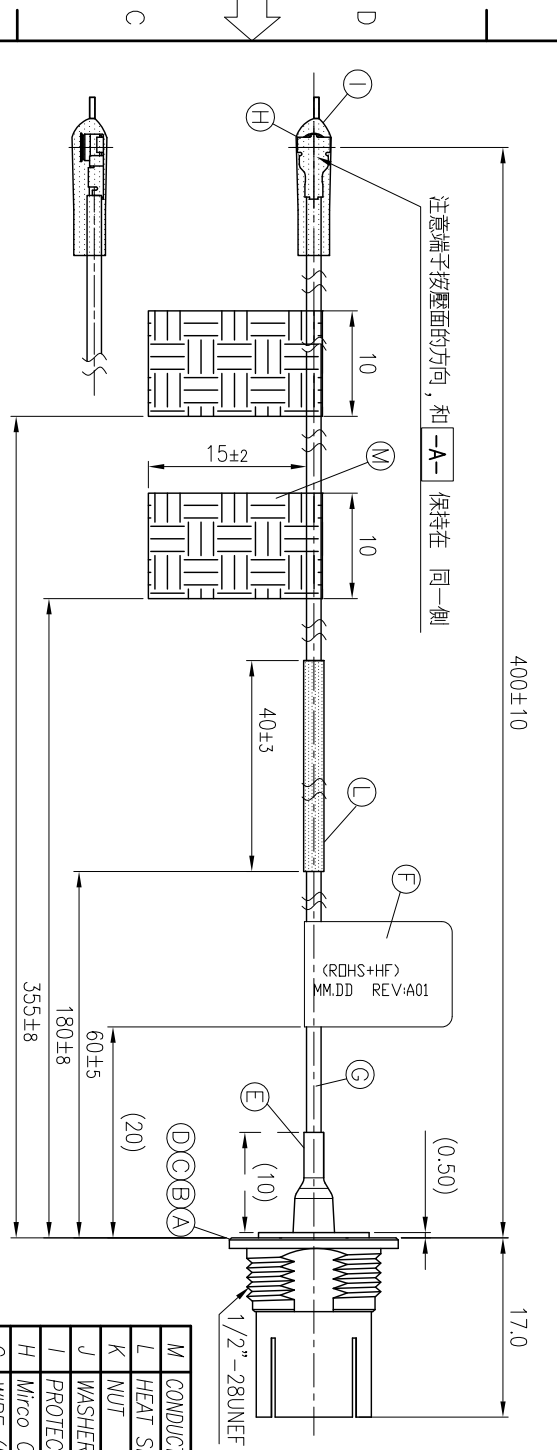
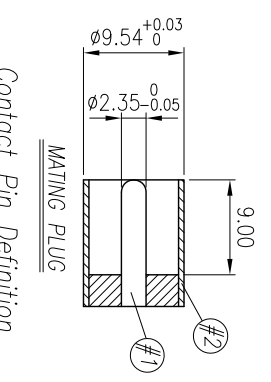
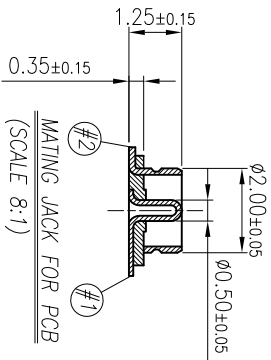


tv_ant_uk_p_hw'tv
P/N: 6017B0431201 (RDHS+HF)
SINGATRON YYY.MM.DD REV:A01

- SPECIFICATIONS: (TYPE PAL)
1. IMPEDANCE : 75 ohm for IEC NORMAL
 2. FREQUENCY RANGE : 0~2 GHz (PART PAL JACK)
 3. OTHER GENERAL SPEC. TO REFER "2RF3009-015104F SPEC."
 4. TO CONFORM TO THE SINGATRON HAZARDOUS SUBSTANCE FREE SPEC.
 5. PRODUCT IDENTIFICATION LABEL ON PACKAGING:



RECOMMENDED MOUNTING HOLE



MATING JACK FOR PCB (SCALE 8:1)

PIN	FUNCTION
#1	Signal
#2	Ground

MATING PLUG

PIN	FUNCTION
#1	Signal
#2	Ground

M	CONDUCTIVE ADHESIVE	2	L25*W10	GRAY
L	HEAT SHRINK TUBE	1	L40	BLACK COLOR
K	NUT	1	ZINC ALLOY	NICKEL PLATING
J	WASHER	1	SPCC 0.5t	NICKEL PLATING
I	PROTECT TUBE	1	Ø2.5x15L	TRANSPARENT COLOR
H	Micro Coaxial Conn.	1	(50 ohm)Brass	GOLD PLATING
G	WIRE (50 ohm)	1	Ø1.37 Coaxial Cable	GRAY COLOR
F	LABEL	1	L28xW10	WHITE COLOR
E	HEAT SHRINK TUBE	1	Ø2.5	BLACK COLOR
D	ALLOY STOPPER	1	ZINC ALLOY	NICKEL PLATING
C	CENTER CONTACT	1	PHOSPHOR BRONZE 0.2T	GOLD FLASH
B	INSULATOR	1	POLYCARBONATE_HF	WHITE COLOR
A	ALLOY BODY	1	ZINC ALLOY	NICKEL PLATING
NO	DESCRIPTION	QTY	MATERIAL	PLATING & COLOR

UNLESS OTHERWISE SPECIFIED TOLERANCES

DECIMALS:	ANGLES:
X : ±0.5	X : ±2°
X.X : ±0.3	X.X : ±1°
X.XX : ±0.2	

Singatron Enterprise Co., Ltd.
信亨企業股份有限公司

Cable Assembly(PAL)

TITLE	WINNIE	PART NO.	UNIT:	SIZE:	SHEET:	REV:
DWN	WINNIE	2RF3009-015104F	mm	A3	1 OF 1	B
CHKD						
APVD	BOYE					

CUSTOMER COPY

REV.	ECN NO OR DESCRIPTION	REVISED	DATE
A	PDR NO.T121126-9D	Solder	2013.02.25
B	ECR NO.:S130342&S130411	WINNIE	2014.03.19