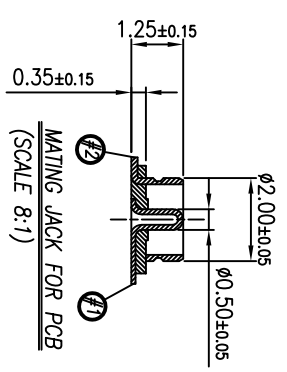
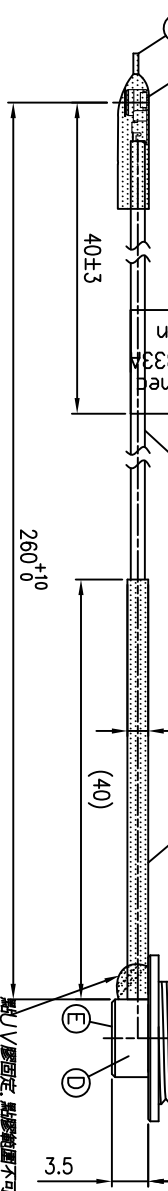
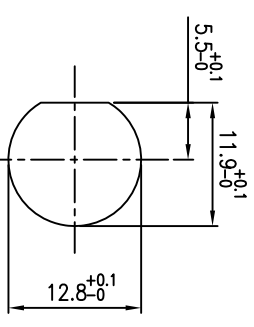
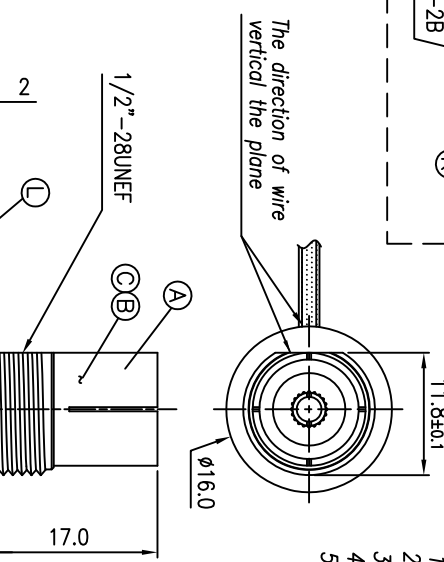


PART NO.
2RF3009-062001F

HALOGEN FREE
 SERIAL NO.
 0: STD JACK
 20: FOR CABLE
 6: RIGHT ANGLE & 75Ω

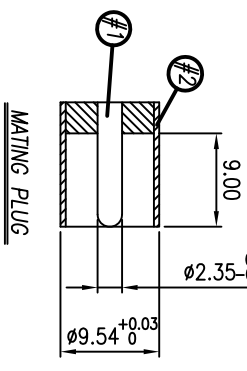
SPECIFICATIONS: (RF CONN. PAL TYPE)

1. IMPEDANCE : 75 ohm for IEC NOMINAL
2. FREQUENCY RANGE : 0~2 GHz
3. OTHER GENERAL SPEC. TO REFER "2RF1009-0620XX SPEC".
4. TO CONFORM TO SINGATRON HAZARDOUS SUBSTANCE FREE SPECIFICATION
5. PRODUCT IDENTIFICATION LABEL ON PACKAGING:



Contact Pin Definition

PIN	FUNCTION
#1	Signal
#2	Ground



Contact Pin Definition

PIN	FUNCTION
#1	Signal
#2	Ground

RECOMMENDED MOUNTING HOLE

NO	DESCRIPTION	QTY	MATERIAL	PLATING & COLOR
L	HEAT SHRINK TUBE	1	L40	BLACK
K	NUT	1	ZINC ALLOY	NICKEL PLATING
J	WASHER	1	SPCC 0.5t	NICKEL PLATING
I	PROTECT TUBE	1	φ2.5xL15	TRANSPARENT COLOR
H	Mifco Coaxial Conn.	1	(50 ohm)Brass	GOLD FLASH
G	LABEL	1	28x10	WHITE COLOR
F	WIRE	1	φ1.37 Coaxial Cable	BLACK COLOR
E	COPPER COVER	1	BRASS	NICKEL PLATING
D	COPPER STOPPER	1	BRASS	NICKEL PLATING
C	CENTER CONTACT	1	BRASS	GOLD FLASH
B	INSULATOR	1	TEFLON-PTFE	WHITE COLOR
A	COPPER BODY	1	BRASS	NICKEL PLATING

UNLESS OTHERWISE SPECIFIED TOLERANCES

DECIMALS:	ANGLES:
X : ±0.5	X : ±2°
XX : ±0.3	XX : ±1°
XXX : ±0.2	

REV/ECN NO	OR DESCRIPTION	REVISED	DATE
A	PDR NO.1T30319-7A	Soldier	2013.06.20
B	ECN NO.S131246	Edi.Zhou	2014.03.31

Singatron Enterprise Co., Ltd.
 信音企業股份有限公司

Cable Assembly(PAL)

TITLE	DWG	CHKD	APVD
PART NO.2RF3009-062001F	Edi.Zhou	bpe	bpe
SAMSUNG PART NO.:BA39-01333A			
SCALE 2:1	UNIT: mm	SIZE: A3	SHEET:1 OF 1

CUSTOMER COPY