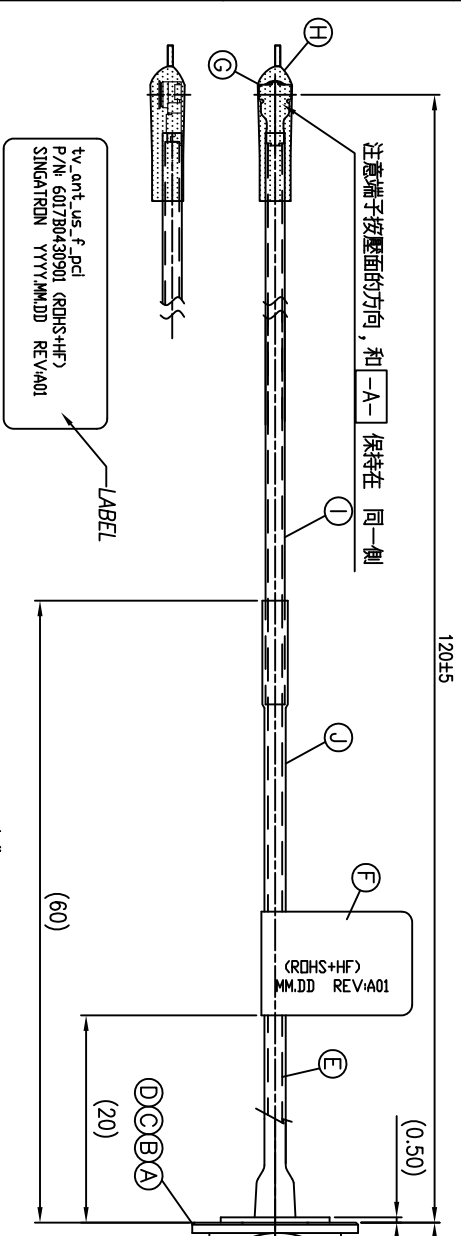
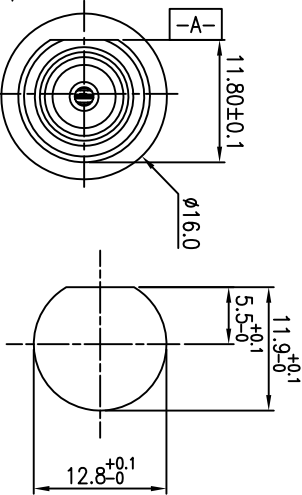


- SPECIFICATIONS:**
1. IMPEDANCE : 75 ohm for NTSC NOMINAL
  2. FREQUENCY RANGE : 0~2 GHz ( PART F JACK )
  3. TEMPERATURE RANGE : -40~+90 °C
  4. CABLE ASSEMBLY TO BE 100% TESTED FOR INSERTION LOSS
  5. OTHER GENERAL SPEC. TO REFER "2RF3010-015103F SPEC".
  6. TO CONFORM TO THE EU RoHS DIRECTIVE.
  7. HALOGEN FREE PRODUCT IDENTIFICATION LOGO ON PACKAGING:

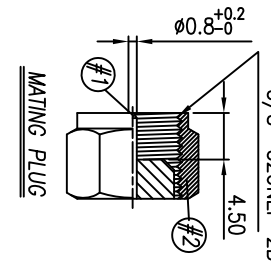
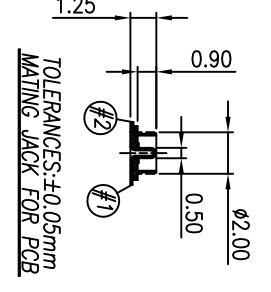


L	NUT	1	ZINC ALLOY	NICKEL PLATING
K	WASHER	1	SPCC 0.5t	NICKEL PLATING
J	HEAT SHRINK TUBE	1	φ2.5xL60	BLACK COLOR
I	HEAT SHRINK TUBE	1	φ2.0xL70	BLACK COLOR
H	PROTECT TUBE	1	φ2.5x15L	TRANSPARENT COLOR
G	Micro Coaxial Conn.	1	(50 ohm)Brass	GOLD PLATING
F	LABEL	1	L28xW10	WHITE COLOR
E	WIRE (50 ohm)	1	φ1.37 Coaxial Cable	GRAY COLOR
D	ALLOY STOPPER	1	ZINC ALLOY	NICKEL PLATING
C	CENTER CONTACT	1	PHOSPHOR BRONZE	GOLD FLASH
B	INSULATOR	1	POLYCARBONATE_HF	WHITE COLOR
A	ALLOY BODY	1	ZINC ALLOY	NICKEL PLATING

RECOMMENDED MOUNTING HOLE



tv\_ant\_us\_f\_pcl  
P/N: 601B0430901 (RDHS+HF)  
SINGATRIN YYYYY.MM.DD REV: A01



TOLERANCES: ±0.05mm  
MATING JACK FOR PCB

MATING PLUG

Contact Pin Definition

PIN	FUNCTION
#1	Signal
#2	Ground

Contact Pin Definition

PIN	FUNCTION
#1	Signal
#2	Ground

REV.	ECN NO.	OR DESCRIPTION	REVISED	DATE
A	PDR NO. T121126-9A		Solder	2013.02.25
B	ECN NO. S130418		Solder	2013.09.23

Singatron Enterprise Co., Ltd.  
信音企業股份有限公司

Cable Assembly(F)

DECIMALS: ANGLES:

X	:±0.5	X	:±2°
X.X	:±0.3	X.X	:±1°
X.XX	:±0.2		

DWN	Solder	PART NO. 2RF3010-015103F
CHKD	Solder	SCALE 2:1 UNIT: mm
APVD	Solder	SIZE: A3 SHEET: 1 OF 1 REV: B

CUSTOMER COPY