

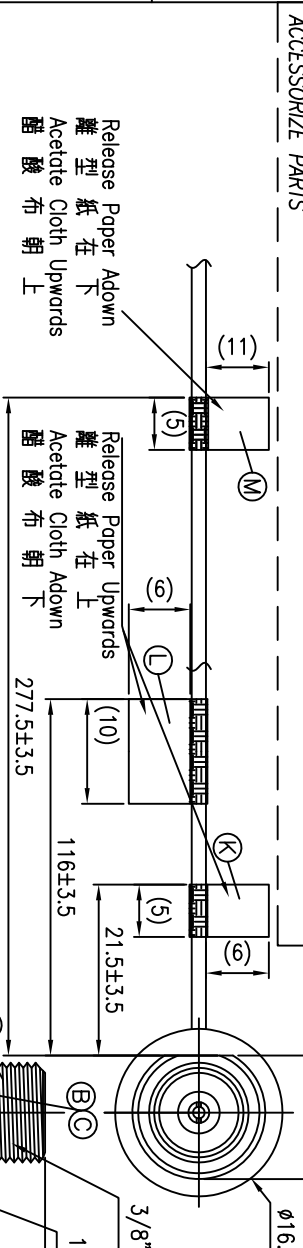
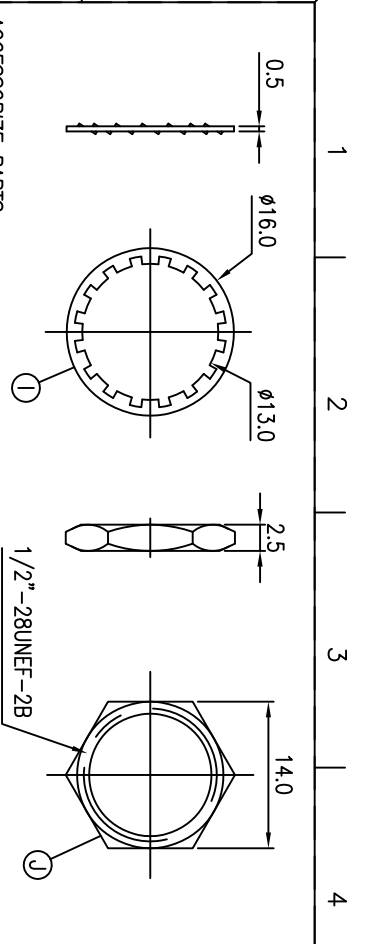
REV/ECN NO OR DESCRIPTION	REVISED	DATE
A PDR NO.: S140318-1A	Edi.Zhou	2014.06.27

**PART NO.**  
**2RF3010-062003F**

0: STD JACK  
20: FOR CABLE  
6: RIGHT ANGLE & 75Ω

HALOGEN FREE  
SERIAL NO.

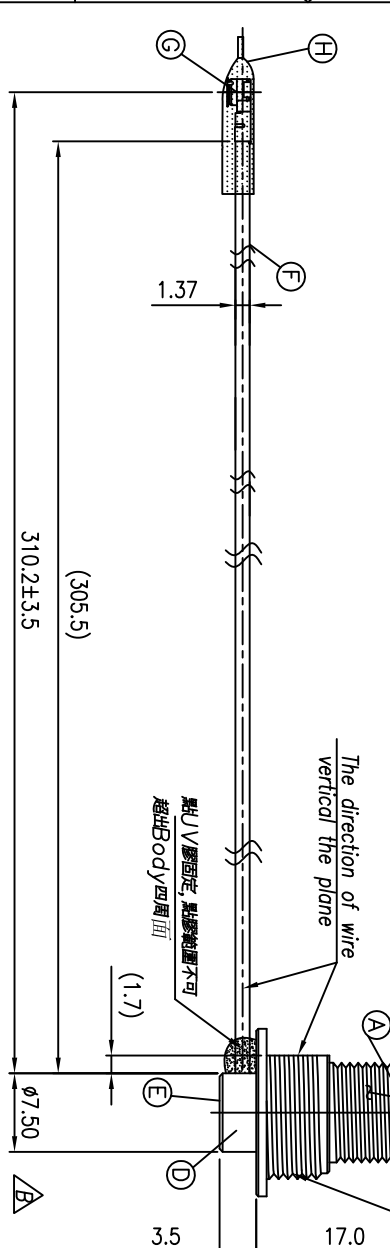
- SPECIFICATIONS: (RF CONN. F TYPE)
1. IMPEDANCE : 75 ohm for NTSC NOMINAL
  2. FREQUENCY RANGE : 0~2 GHz
  3. OTHER GENERAL SPEC. TO REFER "2RF3010-0620XX SPEC."
  4. TO CONFORM TO SINGATRON HAZARDOUS SUBSTANCE FREE SPECIFICATION
  5. PRODUCT IDENTIFICATION LABEL ON PACKAGING:



Release Paper Adown  
離型紙在下  
Acetate Cloth Upwards  
醋酸布朝上

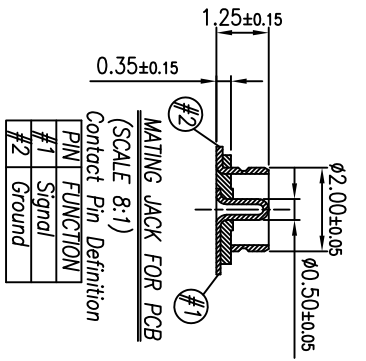
Release Paper Upwards  
離型紙在上  
Acetate Cloth Down  
醋酸布朝下

RECOMMENDED MOUNTING HOLE



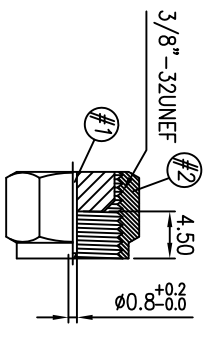
The direction of wire  
垂直的平面

請UV膠固定，點膠範圍不可  
超出Body四週面 (1.7)



**MATING JACK FOR PCB**  
(SCALE 8:1)  
Contact Pin Definition

PIN	FUNCTION
#1	Signal
#2	Ground



**MATING PLUG**  
Contact Pin Definition

PIN	FUNCTION
#1	Signal
#2	Ground

M	ACETATE TAPE	1	L17*W5	BLACK
L	ACETATE TAPE	1	L12*W10	BLACK
K	ACETATE TAPE	1	L12*W5	BLACK
J	NUT	1	ZINC ALLOY	NICKEL PLATING
I	WASHER	1	SPCC 0.5t	NICKEL PLATING
H	PROJECT TUBE	1	∅2.5x15L	TRANSPARENT COLOR
G	Mirco Coaxial Conn.	1	(50 ohm)Brass	GOLD FLASH
F	WIRE	1	∅1.37 Coaxial Cable	BLACK COLOR
E	COPPER COVER	1	BRASS	NICKEL PLATING
D	COPPER STOPPER	1	BRASS	NICKEL PLATING
C	CENTER CONTACT	1	BRASS	GOLD FLASH
B	INSULATOR	1	TEFLON-PTFE	WHITE COLOR
A	COPPER BODY	1	BRASS	NICKEL PLATING
NO	DESCRIPTION	QTY	MATERIAL	PLATING & COLOR

UNLESS OTHERWISE SPECIFIED TOLERANCES

DECIMALS: ANGLES:

X : ±0.5 X : ±2°  
X.X : ±0.3 X.X : ±1°  
X.XX : ±0.2

Singatron Enterprise Co., Ltd.  
信晉企業股份有限公司

Cable Assembly(F) For ATSC

DWN Edi.Zhou PART NO.: 2RF3010-062003F  
CHKD Bhp SAMSUNG PART NO.: BA39-01361A  
APVD Bhp SCALE 2:1 UNIT: mm  
SIZE: A3 SHEET: 1 OF 1 REV: A

CUSTOMER COPY