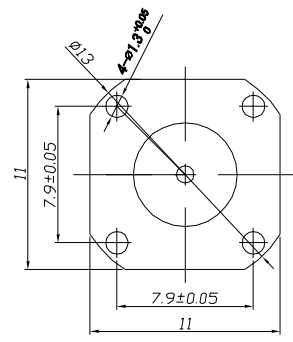
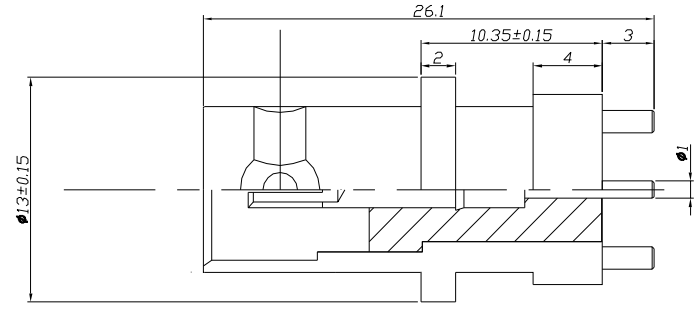


REV.	ECN NO OR DESCRIPTION	REVISED	DATE
A	PDR NO:S180313-3A	Chensong	2018.10.19



SPECIFICATIONS: (RF CONN. BNC)

1. ELECTRICAL CHARACTERISTICS:
 - 1-1. IMPEDANCE : 75 OHM
 - 1-2. VSWR : 1.25 MAX.
 - 1-3. FREQUENCY RANGE: 0~2 GHz.
 - 1-4. DIELECTRIC WITHSTANDING VOLTAGE :1500 VRMS,MIN.
2. ENVIRONMENTAL CHARACTERISTICS:
 - 2-1. TEMPERATURE RANGE : -40~+85 °C
3. MECHANICAL REQUIREMENTS:
 - 3-1. LIFE TEST: 500 CYCLES MIN.
4. OTHER GENERAL SPEC. TO REFER "2RFXXXXXXXXSPEC".
5. TO CONFORM TO THE EU RoHS DIRECTIVE.
6. PRODUCT IDENTIFICATION LABEL ON PACKAGING: **RoHS**
7. PACKAGING BY BAG

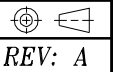


F	SHELL	1	HPb59-1	Ni 60u" Min
E	INSULATOR	1	PTFE	NATURAL
D	CONTACT PIN	1	BRASS	Au 3u" Min.
C	CONTACT PIN	1	BRASS	Au 3u" Min.
B	INSULATOR	1	PTFE	NATURAL
A	BODY	1	CU	Ni 60 u" Min.
NO	DESCRIPTION	QTY	MATERIAL	PLATING & COLOR

UNLESS OTHERWISE SPECIFIED TOLERANCES

Singatron Enterprise Co., Ltd.
信音企業股份有限公司

DECIMALS:	ANGLES:	TITLE	BNC JACK		
X :±0.5	X :±2°	DWN	Chensong	PART NO.2RF3Y05-012101H	
X.X :±0.3	X.X :±1°	CHKD		SCALE 1:1	UNIT: mm
X.XX :±0.2		APVD		SIZE: A3	SHEET:1 OF 1



CUSTOMER COPY