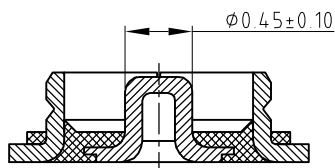
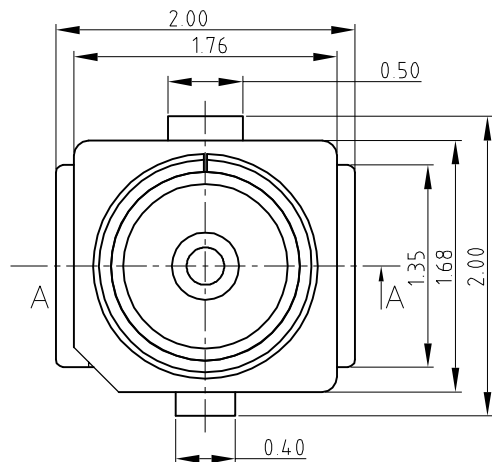
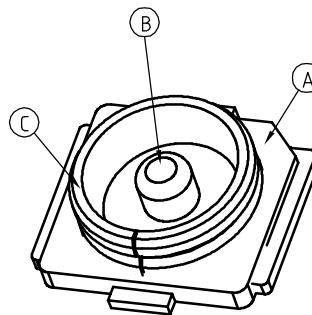


REV.	ECN NO OR DESCRIPTION	REVISED	DATE
A	PDR NO:T180529-3A	PAN	2018.08.31

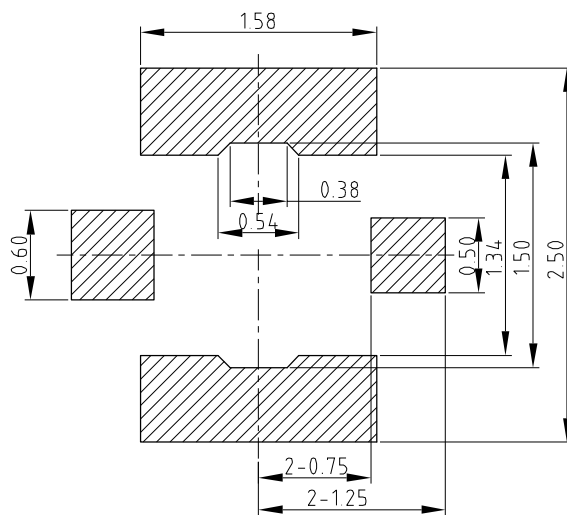
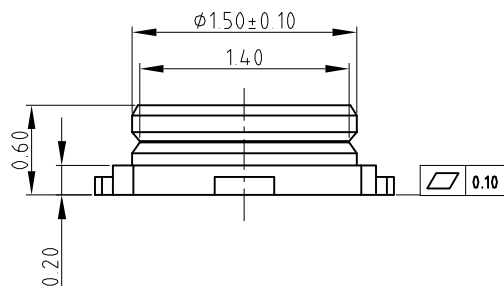


SECTION: A-A



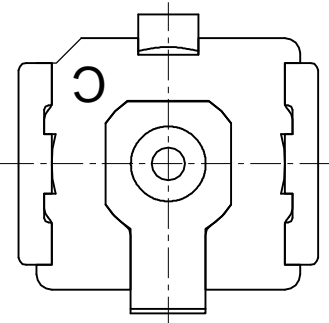
NOTES:

- FREQUENCY RANGE:
DC TO 6GHZ (VSWR: 1.3MAX AT 0.1~3GHZ, 1.5MAX AT 3~6GHZ)
- CHARACTERISTIC IMPEDANCE: 50Ω(NOMINAL);
- TEMPERATURE: -40°C TO +90°C;
- RATED VOLTAGE : 60VAC;
- CONTACT RESISTANCE :
20mΩ MAX.(SIGNAL CONTACT)
10mΩ MAX.OHM MAX.(GROUND CONTACT)
- WITHSTAND VOLTAGE : 200VAC FOR 1 MINUTE MIN;
- INSULATION RESISTANCE : 500MΩ MIN. AT 100VDC;
- THIS COMPONENT IS HALOGEN FREE.



SIGNAL CONTACT GROUND CONTACT

P.C.B DIMENSION (TOP VIEW)
(TOLERRANCE ±0.05)



C	GROUND CONTACT	1	COPPER ALLOY	Au 0.03μm Min. over Ni 1.27μm Min.
B	SIGNAL CONTACT	1	COPPER ALLOY	Au 0.05μm Min. over Ni 1.27μm Min.
A	HOUSING	1	THERMOPLASTIC	UL94V-0,GF=30%
NO	DESCRIPTION	QTY	MATERIAL	PLATING & COLOR
UNLESS OTHERWISE SPECIFIED TOLERANCES			Singatron Enterprise Co., Ltd. 信音企業股份有限公司	
DECIMALS:		ANGLES:		TITLE
X	:±0.5	X	:±2°	RF 4G BOARD END
X.X	:±0.3	X.X	:±1°	DWN
X.XX	:±0.2			CHKD
				APVD
				SCALE:1:1 UNIT: mm
				SIZE: A3 SHEET:1 OF 1
				REV:A

CUSTOMER COPY