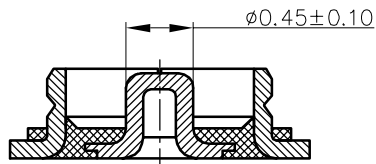
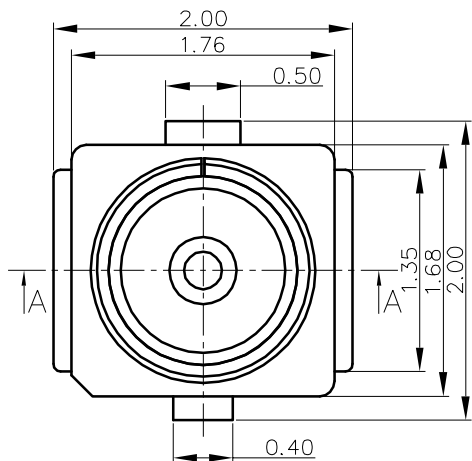
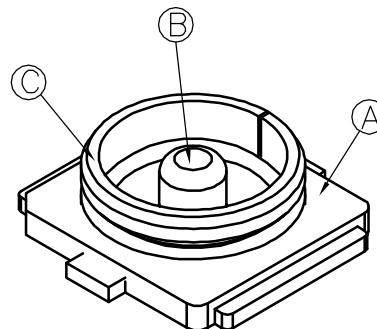


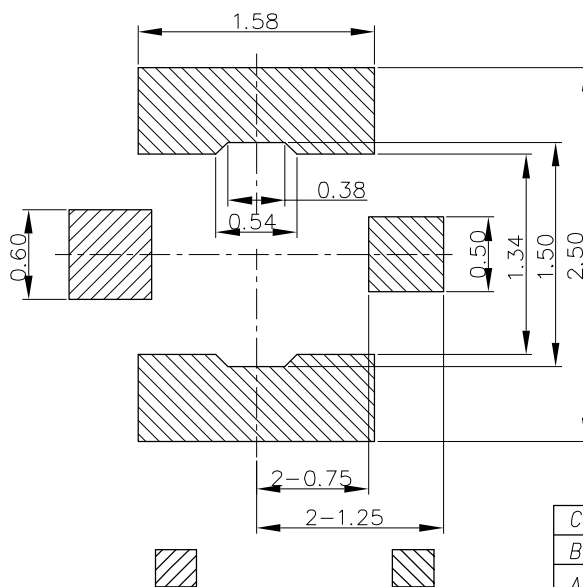
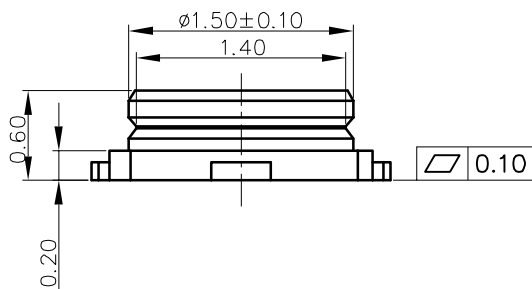
REV.	ECN NO OR DESCRIPTION	REVISED	DATE
A	PDR NO:T180529-3B	PAN	2018.08.31



SECTION: A-A

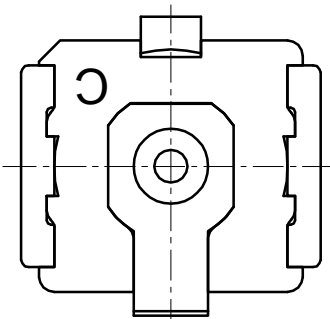


- NOTES:
- FREQUENCY RANGE:
DC TO 6GHZ (VSWR: 1.3MAX AT 0.1~3GHZ, 1.5MAX AT 3~6GHZ)
 - CHARACTERISTIC IMPEDANCE: 50Ω(NOMINAL);
 - TEMPERATURE: -40°C TO +90°C;
 - RATED VOLTAGE : 60VAC;
 - CONTACT RESISTANCE :
20mΩ MAX.(SIGNAL CONTACT)
10mΩ MAX.OHM MAX.(GROUND CONTACT)
 - WITHSTAND VOLTAGE : 200VAC FOR 1 MINUTE MIN;
 - INSULATION RESISTANCE : 500MΩ MIN. AT 100VDC;
 - THIS COMPONENT IS HALOGEN FREE.



SIGNAL CONTACT GROUND CONTACT

P.C.B DIMENSION (TOP VIEW)
(TOLLERANCE ± 0.05)



C	GROUND CONTACT	1	JIS C5191R-H	Au 0.03μm Min. over Ni 1.27μm Min.
B	SIGNAL CONTACT	1	JIS C2680M	Au 0.05μm Min. over Ni 1.27μm Min.
A	HOUSING	1	LCP E6808	UL94V-0,GF=30%
NO	DESCRIPTION	QTY	MATERIAL	PLATING & COLOR

UNLESS OTHERWISE SPECIFIED TOLERANCES

Singatron Enterprise Co., Ltd.
信音企業股份有限公司

DECIMALS:	ANGLES:	TITLE	RF 4G I TYPE BOARD END	
X :±0.5	X :±2°	DWN	PART NO.2RF3Y12-001003F	
X.X :±0.3	X.X :±1°	CHKD	SCALE:1:1	UNIT: mm
X.XX :±0.2		APVD	SIZE: A3	SHEET:1 OF 1 REV:A

CUSTOMER COPY