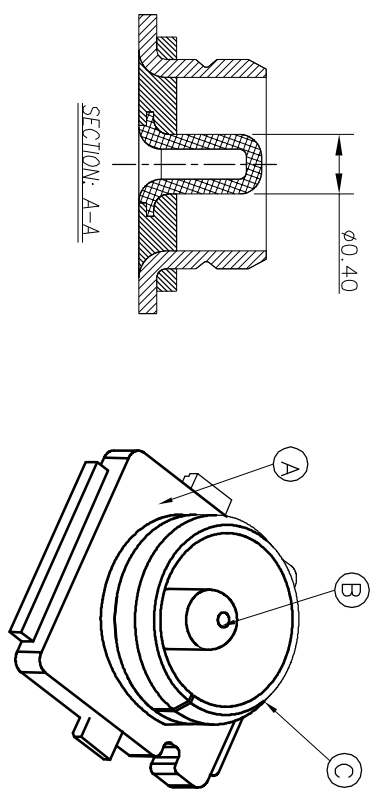
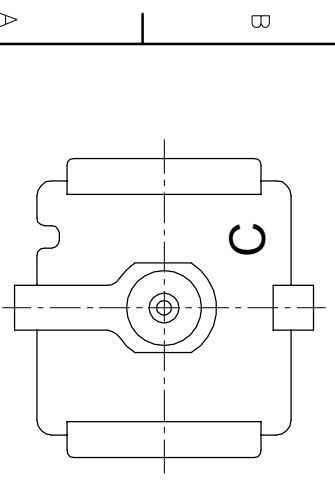
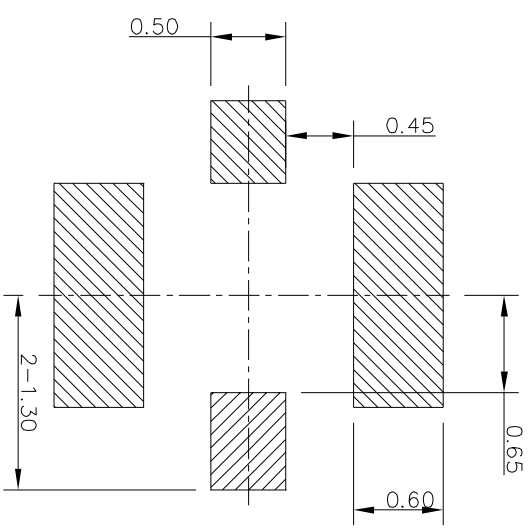
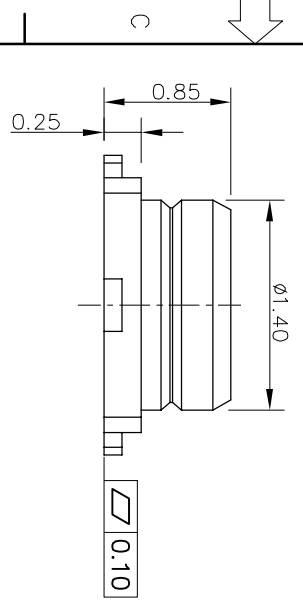
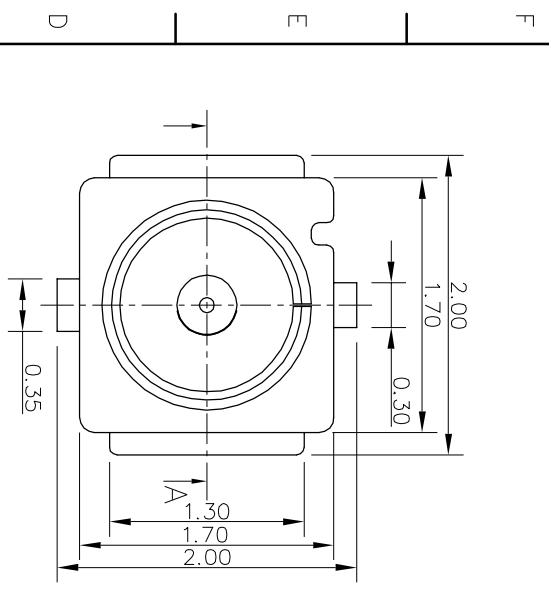


REV	ECN NO	OR DESCRIPTION	REVISED	DATE
A	PDR NO:TT180529-2A	PAN	2018.08.31	



- NOTES:
1. FREQUENCY RANGE:
DC TO 6GHZ (VSWR: 1.3MAX AT 0.1~3GHZ, 1.4MAX AT 3~6GHZ)
 2. CHARACTERISTIC IMPEDANCE: 50Ω(NOMINAL);
 3. TEMPERATURE: -40°C TO +90°C;
 4. RATED VOLTAGE : 60VAC;
 5. CONTACT RESISTANCE :
20mΩ MAX.(SIGNAL CONTACT)
20mΩ MAX.(GROUND CONTACT)
 6. WITHSTAND VOLTAGE : 200VAC FOR 1 MINUTE MIN;
 7. INSULATION RESISTANCE : 500MΩ MIN. AT 100VDC;
 8. THIS COMPONENT IS HALOGEN FREE.



P.C.B DIMENSION (TOP VIEW)
(TOLERANCE ±0.05)

SIGNAL CONTACT

GROUND CONTACT

C	GROUND CONTACT	1	JIS C5191R-H	Au 0.05μm Min. over Ni 1.27μm Min.
B	SIGNAL CONTACT	1	JIS C2680M	Au 0.05μm Min. over Ni 1.27μm Min.
A	HOUSING	1	LCP E6808	UL94V-0
NO	DESCRIPTION	QTY	MATERIAL	PLATING & COLOR

UNLESS OTHERWISE SPECIFIED TOLERANCES

DECIMALS:	ANGLES:	TITLE	RF 3G I TYPE BOARD END
X :±0.5	X :±2°	DWN	PART NO.2RF312-001301F
X.X :±0.3	X.X :±1°	CHKD	SCALE:1:1 UNIT: mm
X.XX :±0.2		APVD	SIZE: A3 SHEET:1 OF 1 REV:A

CUSTOMER COPY

Singatron Enterprise Co., Ltd.
信譽企業股份有限公司