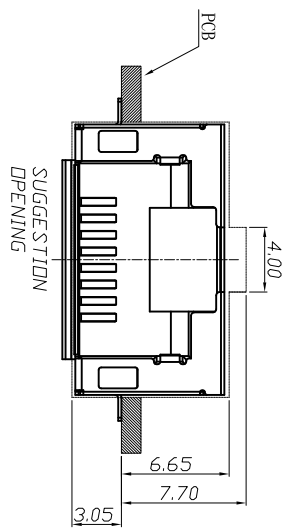
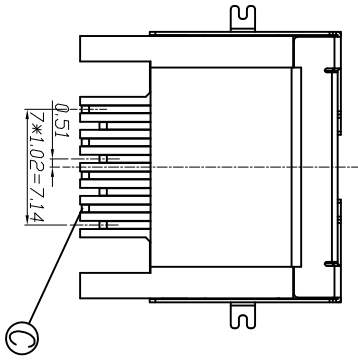
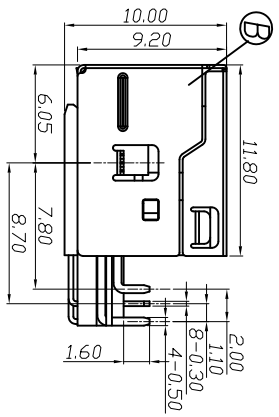
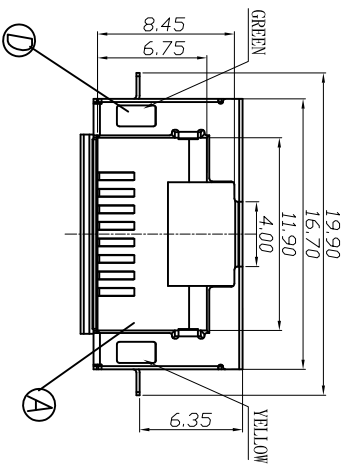
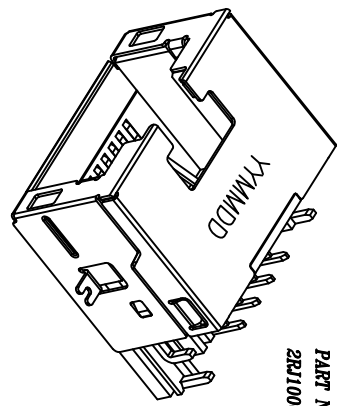


RECOMMENDED PCB LAYOUT
 TOLERANCE:±0.05mm
 RECOMMENDED PCB THICKNESS:1.20±0.05



LED ELECTRICAL CHARACTERISTIC			
NODE	COLOR	A1 → A2	B1 → B2
A1(+) A2(-)	YELLOW	+	-
B1(+) B2(-)	GREEN	-	+

- SPECIFICATIONS:
- ELECTRICAL CHARACTERISTICS:
 - CURRENT RATING: 1.5A MAX.
 - VOLTAGE RATING: 150V MAX.
 - CONTACT RESISTANCE: 30mΩ MAX.
 - INSULATION RESISTANCE: 500MΩ MIN. AT 500V DC.
 - MECHANICAL CHARACTERISTICS:
 - INSERTION FORCE: 2.3kg MAX.
 - WITHDRAWAL FORCE: 5.0kg MIN.
 - DURABILITY: 5000 CYCLES.
 - OPERATING TEMPERATURE: -30°C TO +75°C.
 - OTHER GENERAL SPEC. TO REFER "R11000 SERIES SPEC".
 - TO CONFORM TO SINGATRON HAZARDOUS SUBSTANCE FREE SPEC.
 - HALOGEN FREE PRODUCT IDENTIFICATION LABEL ON PACKAGING.
 - FOR REFLOW SOLDERING LEAD-FREE PROCESS.



PART NO.
 2R11000-020111F

- SUFFIX: HALOGEN FREE
- PACKAGE 1: TAPE & REEL
- HOUSING COLOR 1: BLACK
- CONTACT PLATING 1: GOLD FLASH ON CONTACT AREA, MATE Tm PLATING ON SOLDER AREA, NICKEL UNDERPLATED OVERALL

NO	DESCRIPTION	QTY	MATERIAL	PLATING & COLOR
F	INK	1	STAINLESS STEEL	BLACK COLOR
E	SHRAPNEL	1	STAINLESS STEEL	
D	LED	2	N/A	YELLOW/GREEN DR SOLDER PLATING: 100μ MIN MATE Tm ON ALL
C	CONTACT	8	COPPER ALLOY 0.3t	SEE PART NO.
B	SHELL	1	STAINLESS STEEL 0.2t	BLACK NICKEL 60U MIN
A	HOUSING	1	HIGH TEMP THERMOPLASTIC UL 94V-0	BLACK COLOR

UNLESS OTHERWISE SPECIFIED TOLERANCES

DECIMALS:	ANGLES:
X :±0.5	X :±2°
XX :±0.3	XX :±1°
XXX :±0.2	

TITLE R145 JACK WITH LED TYPE(H=9.2)

DRAWN IN-C 2013.08.29 PART NO. 2R11000-020111F

CHKD SCALE:2.5:1 UNIT: mm

APVD AME12013.08.29 SIZE: A3 SHEET:1 OF 1 REV: A

Singatron Enterprise Co., Ltd.
 信音企業股份有限公司

CUSTOMER COPY

REV/ECN NO OR DESCRIPTION	REVISED DATE
A PDR RELEASE	IV-C 2013.08.29

