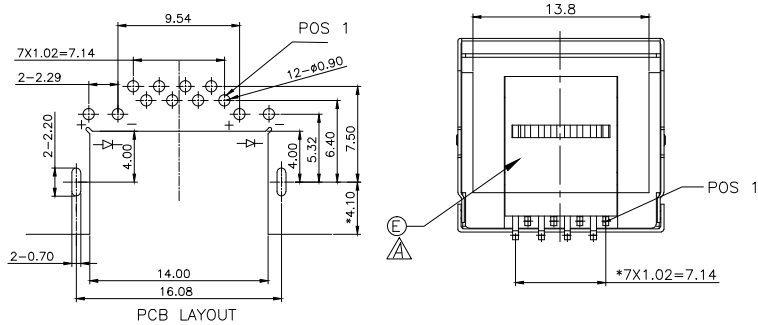
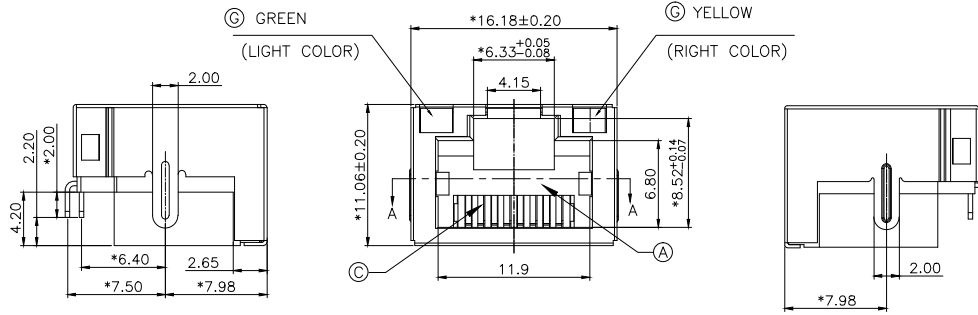
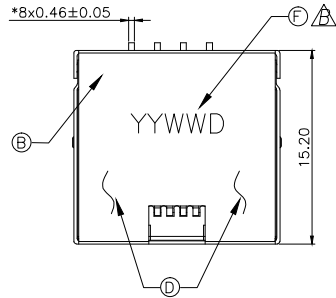



REV.	ECN NO OR DESCRIPTION	REVISED	DATE
A	ECN NO:L120190 2RJ1507-X00111=>2RJ1507-100111	Even	2013.04.16
B	ECN NO:L140148	IVY-C	2014.11.04
C	ECN NO:L202010-P01	EVEN	2020.11.25




Recommend PCB Layout
Tolerance: ±0.05mm (component side)
Recommend PCB THICKNESS: 1.6mm

SPECIFICATIONS:

- OTHER GENERAL SPEC. TO REFER "2RJ1507 SERIES SPEC".
- TO CONFORM TO SINGATRON HAZARDOUS SUBSTANCE FREE SPEC.
- FOR REFLOW SOLDERING LEAD-FREE PROCESS.
- HALOGEN FREE PRODUCT IDENTIFICATION LABEL ON PACKAGING: 
- PACKAGE : SEE "2RJ1507 SERIES" PACKAGE.

PART NO.
 △ 2RJ1507-100111
 PACKAGE
 1: TAPE & REEL
 HOUSING COLOR
 1: BLACK
 CONTACT PLATING
 1: GOLD
 LED OPTION
 1: WHIT LED

G	LED	2	GREEN/YELLOW	
F	INK			BLACK
E	INSERT	1	HIGH TEMP THERMOPLASTIC UL 94V-0	BLACK
D	COVER	2	HIGH TEMP THERMOPLASTIC UL 94V-0	BLACK
C	CONTACT	8	PHOSPHOR BRONZE	GOLD 3u" BASIC TIN PLATING △
B	SHELL	1	BRASS	NICKEL PLATING
A	HOUSING	1	HIGH TEMP THERMOPLASTIC UL 94V-0	BLACK
NO	DESCRIPTION	QTY	MATERIAL	PLATING & COLOR
UNLESS OTHERWISE SPECIFIED TOLERANCES		 信音科技(香港)有限公司		
DECIMALS: ANGLES:		TITLE	RJ45 JACK SINK VERSION WHIT LED	
X : ±0.5	X : ±2°	DWN	EVEN 2020.11.25	PART NO.2RJ1507-100111
X.X : ±0.3	X.X : ±1°	CHKD	SCALE 1:1	UNIT: mm
X.XX : ±0.2		APVD	ANGELA 2020.11.25	SIZE: A3 SHEET: 1 OF 1 REV: C
CUSTOMER COPY				