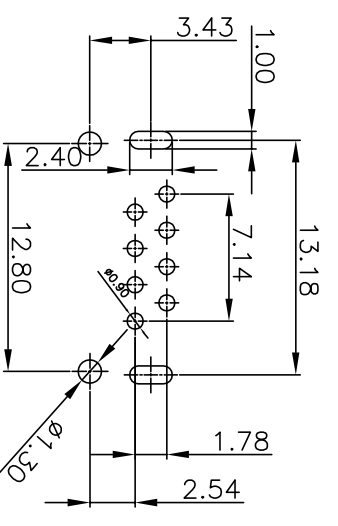
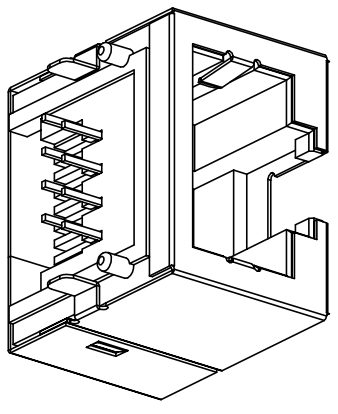
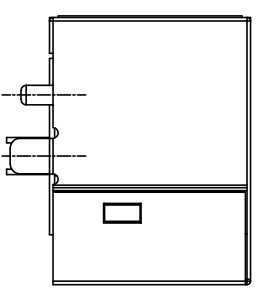
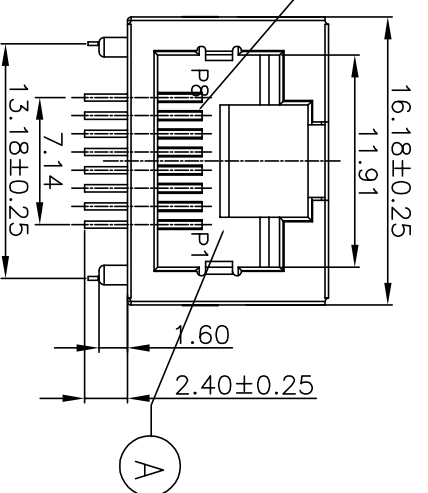
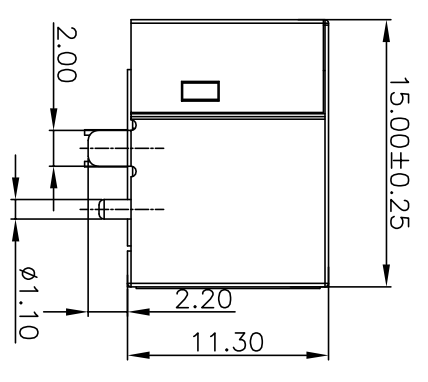
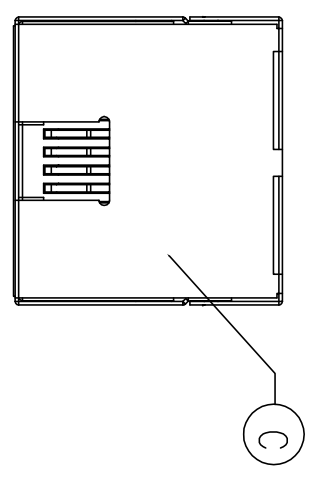


REV.	ECN NO OR DESCRIPTION	REVISED	DATE
A	PDR RELEASE	EVEN	2017.08.29



RECOMMENDED PCB LAYOUT  
(TOP VIEW)

- SPECIFICATIONS:
- CURRENT RATING: 1.5 AMP MAX.
  - VOLTAGE RATING: 150 VAC MAX.
  - INSULATION RESISTANCE: 1000M OHMS MIN.
  - DIELECTRIC WITHSTANDING VOLTAGE: 1000 VAC 60Hz 1 MINUTE.
  - DURABILITY: 750 CYCLES MIN.
  - OPERATING TEMPERATURE: -30°C TO +70°C.
  - OTHER GENERAL SPEC. TO REFER "2RJ1544 SERIES SPEC".
  - TO CONFORM TO SINGATRON HAZARDOUS SUBSTANCE FREE SPEC.
  - HALOGEN FREE PRODUCT IDENTIFICATION LABEL ON PACKAGING.
  - PACKAGE: SEE "2RJ1544-000512F" PACKAGE.
  - FOR REFLOW SOLDERING LEAD-FREE PROCESS. 260°C, 5~10SECS.
  - MATES WITH MODULAR PLUG CONFORMING TO FCC PART 68, SUBPART F.



PART NO.  
**2RJ1544-000512F**

- SUFFIX: HALOGEN FREE
- PACKAGE
- 2: TAPE & REEL
- HOUSING COLOR
- 1: BLACK

CONTACT AREA PLATING  
5: 30u" GOLD PLATED ON CONTACT AREA,  
TIN PLATED ON SOLDER AREA

NO	DESCRIPTION	QTY	MATERIAL	PLATING & COLOR
C	SHELL	1	BRASS	NICKEL
B	CONTACT	8	PHOSPHOR BRONZE	SEE PART NO.
A	HOUSING	1	HIGH TEMP PLASTIC, UL 94V-0	BLACK
NO	DESCRIPTION	QTY	MATERIAL	PLATING & COLOR

UNLESS OTHERWISE SPECIFIED TOLERANCES

DECIMALS:	ANGLES:
X : ±0.5	X : ±2°
X.X : ±0.3	X.X : ±1°
X.XX : ±0.2	

Singatron Enterprise Co., Ltd. 信晉企業股份有限公司	
TITLE	RJ45 JACK, SIDE ENTRY, W/O LED, WITH SHELL
DWN	ENEN 2017.08.29
CHKD	ANGEL2017.08.29
APVD	ANGEL2017.08.29
SCALE 1:1 UNIT: mm	
SIZE: A3 SHEET: 1 OF 1 REV: A	

CUSTOMER COPY

1 2 3 4 5 6 7 8