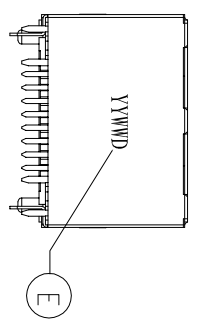
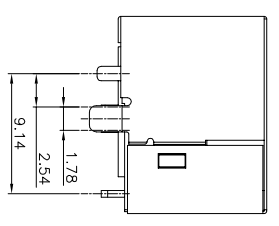
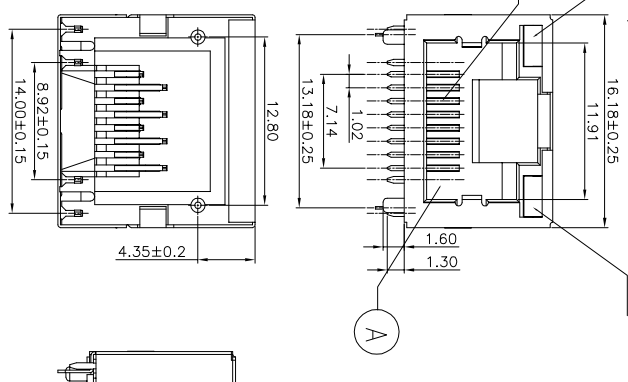
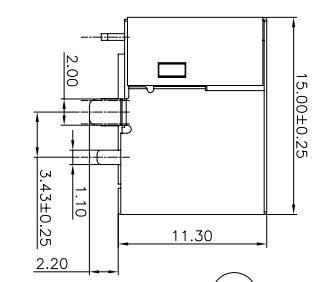
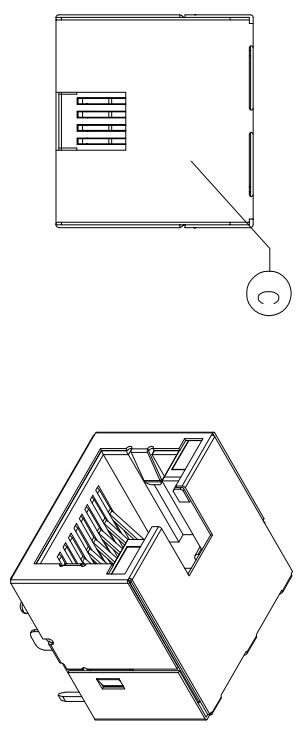


REV.	EGN NO.	OR DESCRIPTION	REVISED	DATE
A	PDR	RELEASE	NY-C	2014/07/22



D LED1
(GREEN/ORANGE)

C LED2(YELLOW)

- SPECIFICATIONS:**
- CURRENT RATING: 1.5 AMP MAX.
 - VOLTAGE RATING: 150 VAC MAX.
 - INSULATION RESISTANCE: 1000M OHMS MIN.
 - DIELECTRIC WITHSTANDING VOLTAGE: 1000 VAC 60Hz 1 MINUTE.
 - DURABILITY: 5,000 CYCLES MIN.
 - OPERATING TEMPERATURE: -30°C TO +70°C.
 - TO CONFORM TO SINGATRON HAZARDOUS SUBSTANCE FREE SPEC.
 - HALOGEN FREE PRODUCT IDENTIFICATION LABEL ON PACKAGING:
 - PACKAGE: SEE "2R1544-021312F" PACKAGE.
 - FOR REFLOW SOLDERING LEAD-FREE PROCESS.
 - MATES WITH MODULAR PLUG CONFORMING TO FCC PART 68, SUBPART F.
 - OTHER GENERAL SPEC. TO REFER "2R1544-021312F SPEC".

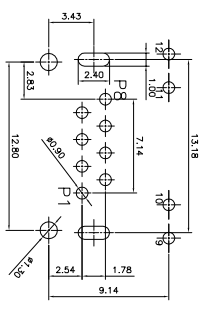


PART NO.
2R1544-021312F

- LED** _____ **SUFFIX: HALOGEN FREE**
- 2. LED1: GREEN/ORANGE** _____ **PACKAGE**
- LED2: YELLOW** _____ **2: TAPE & REEL**
- TERMINAL TAIL LENGTH:** _____ **HOUSING COLOR**
- 1: 1.30mm** _____ **1: BLACK**

- CONTACT AREA PLATING**
- 3: GOLD FLASH PLATED ON CONTACT AREA,**
- TIN PLATED ON SOLDER AREA**

LED ELECTRICAL CHARACTERISTIC	COLOR	CHARACTERISTIC
NOTE		
12(+)	11(-)	LED1: GREEN+ORANGE
10(+)	9(-)	LED2: YELLOW



RECOMMENDED PCB LAYOUT (THICKNESS=1.6MM)

NO	DESCRIPTION	QTY	MATERIAL	PLATING & COLOR
E	INK			BLACK
D	LED	2	GREEN/ORANGE, YELLOW	TIN PLATED
C	SHELL	1	BRASS	NICKEL
B	CONTACT	8	PHOSPHOR BRONZE	SEE PART NO.
A	HOUSING	1	HIGH TEMP PLASTIC, UL 94V-0	BLACK
NO	DESCRIPTION			

UNLESS OTHERWISE SPECIFIED TOLERANCES

DECIMALS: ANGLES:

X : ±0.5 X : ±2°

X.X : ±0.3 X.X : ±1°

X.XX : ±0.2



Singatron Enterprise Co., Ltd.
信亨企業股份有限公司

TITLE: RJ45 JACK, SIDE ENTRY, LED, WITH SHELL

DWN: NY-C 2014/07/22 PART NO. 2R1544-021312F

CHKD: SCALE 1:1 UNIT: mm

APVD: ANGELAD0140122 SIZE: A3 SHEET: 1 OF 1 REV: A

CUSTOMER COPY