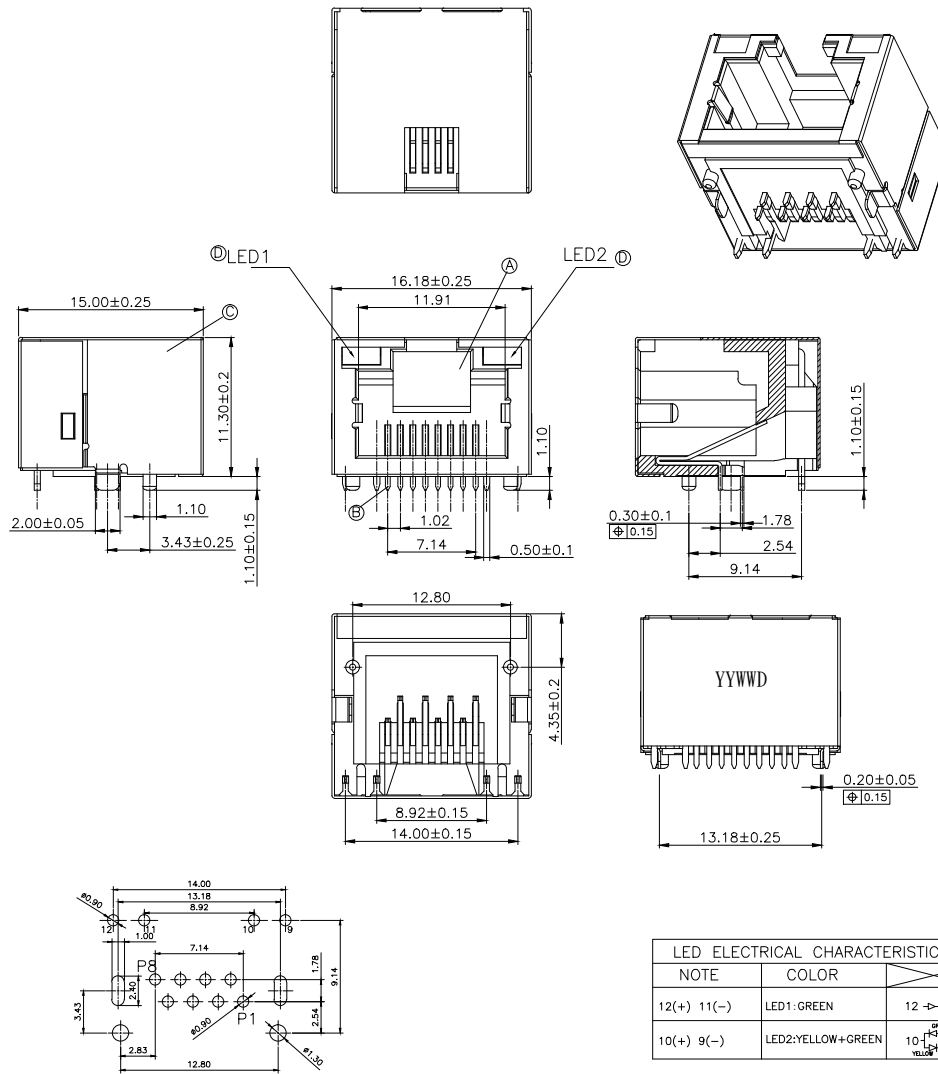


REV.	ECN NO OR DESCRIPTION	REVISED	DATE
A	PDR RELEASE	EVEN	2021.10.14

SPECIFICATIONS:

- CURRENT RATING: 1.5 AMP MAX.
- VOLTAGE RATING: 150 VAC MAX.
- INSULATION RESISTANCE: 1000M OHMS MIN.
- DIELECTRIC WITHSTANDING VOLTAGE: 1000 VAC 60Hz 1 MINUTE.
- DURABILITY: 5,000 CYCLES MIN.
- OPERATING TEMPERATURE: -30°C TO +70°C.
- TO CONFORM TO SINGATRON HAZARDOUS SUBSTANCE FREE SPEC.
- HALOGEN FREE PRODUCT IDENTIFICATION LABEL ON PACKAGING:
- PACKAGE: SEE "2RJ1544-057512F" PACKAGE.
- FOR REFLOW SOLDERING LEAD-FREE PROCESS.
- MATES WITH MODULAR PLUG CONFORMING TO FCC PART 68, SUBPART F.
- OTHER GENERAL SPEC. TO REFER "2RJ1544-057512F SPEC".



PART NO.
2RJ1544-057512F

LED
5. LED1: GREEN
LED2: YELLOW+GREEN

TERMINAL&SHELL TAIL LENGTH:
7. TERMINAL-1.10mm
SHELL-1.10mm

SUFFIX: HALOGEN FREE
PACKAGE
2: TAPE & REEL
HOUSING COLOR
1: BLACK

CONTACT AREA PLATING
5: GOLD 30u" PLATED ON CONTACT AREA,
80~160u" TIN PLATED ON SOLDER AREA
30~80u" NICKEL UNDERPLATED OVER ALL

RECOMMENDED PCB LAYOUT (THICKNESS=1.6MM)

D	LED	2	GREEN/YELLOW, GREEN	TIN PLATED
C	SHELL	1	C2680	30~80u" NICKEL
B	CONTACT	8	C5210	SEE PART NO.
A	HOUSING	1	PA10T, UL 94V-0	BLACK
NO	DESCRIPTION	QTY	MATERIAL	PLATING & COLOR
UNLESS OTHERWISE SPECIFIED TOLERANCES			信音科技(香港)有限公司	
DECIMALS:	ANGLES:	TITLE RJ45 JACK, SIDE ENTRY, LED, WITH SHELL		
X : ±0.5	X : ±2°	DWN	EVEN 2021.10.14	PART NO. 2RJ1544-057512F
X.X : ±0.3	X.X : ±1°	CHKD		SCALE 1:1 UNIT: mm
X.XX : ±0.2		APVD	ANGELA2021.10.14	SIZE: A3 SHEET: 1 OF 1 REV: A
CUSTOMER COPY				