

| REV. | ECN NO OR DESCRIPTION | REVISED | DATE |
|------|-----------------------|---------|------------|
| A | PDR RELEASE | IV-C | 2011.09.22 |
| B | ECN NO:110129 | IV-C | 2011.11.17 |

SPECIFICATIONS:

- VOLTAGE RATING: 150 VAC MAX.
- CURRENT RATING: 1.5 AMP MAX.
- INSULATION RESISTANCE: 1000M OHMS MIN. AT 500 VDC.
- DIELECTRIC WITHSTANDING VOLTAGE: 1000 VAC 60Hz 1 MINUTE.
- DURABILITY: 5,000 CYCLES.
- OPERATING TEMPERATURE: -30°C TO +70°C.
- OTHER GENERAL SPEC. TO REFER "2RJ1569 SERIES SPEC".
- TO CONFORM TO SINGATRON HAZARDOUS SUBSTANCE FREE SPEC.
- HALOGEN FREE PRODUCT IDENTIFICATION LABEL ON PACKAGING.
- PACKAGE: SEE "2RJ1569 SERIES" PACKAGE.
- FOR REFLOW SOLDERING LEAD-FREE PROCESS.
- MATES WITH MODULAR PLUG CONFORMING TO FCC PART 68, SUBPART F.



PART NO.

2RJ1569-000X11E

SUFFIX: HALOGEN FREE

PACKAGE

I: TAPR & REEL

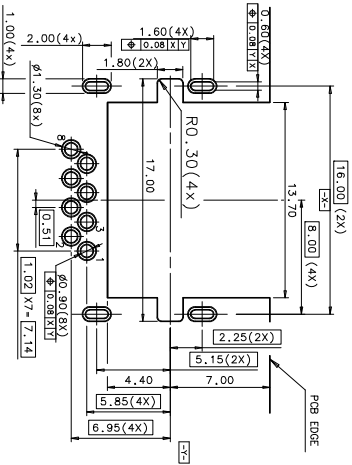
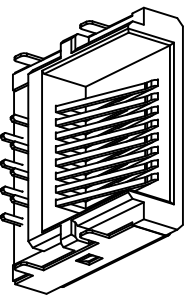
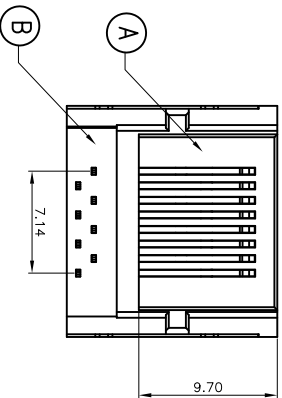
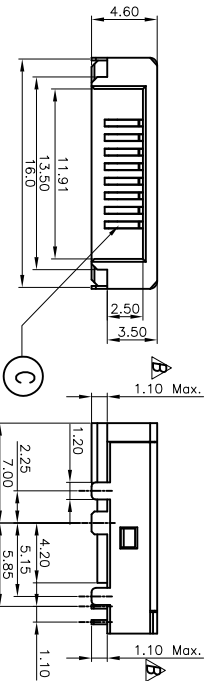
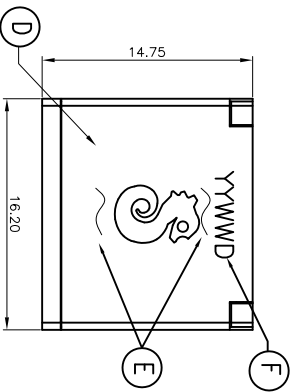
HOUSING COLOR

I: BLACK

CONTACT AREA PLATING

1: GOLD FLASH ON CONTACT AREA,
TIN PLATING ON SOLDER AREA

2: 30u" GOLD PLATING ON CONTACT AREA,
TIN PLATING ON SOLDER AREA



RECOMMEND PCB LAYOUT
TOP VIEW FROM CONNECTOR
1. RECOMMENDED PCB THICKNESS: 1.20±0.05 mm.
2. DIMENSION TOLERANCE: .XX±0.05

| NO | DESCRIPTION | QTY | MATERIAL | PLATING & COLOR |
|----|-------------|-----|--------------------------------|-----------------|
| F | INK | 2 | | BLACK |
| E | MYLAR | 1 | | |
| D | SHELL | 1 | STAINLESS STEEL | NICKEL |
| C | CONTACT | 8 | PHOSPHOR BRONZE | SEE PART NO |
| B | COVER | 1 | HI-TEMP THERMOPLASTIC UL 94V-0 | BLACK |
| A | HOUSING | 1 | HI-TEMP THERMOPLASTIC UL 94V-0 | BLACK |

UNLESS OTHERWISE SPECIFIED TOLERANCES

DECIMALS: ANGLES:

X : ±0.5 X : ±.2°

X.X : ±0.3 X.X : ±1°

X.XX : ±0.2

Singatron Enterprise Co., Ltd.
信音企業股份有限公司

RJ45 JACK W/O LED, DIP, R/A

PART NO. 2RJ1569-000X11E

SCALE 1:1 UNIT: mm

SIZE: A3 SHEET: 1 OF 1 REV: B

CUSTOMER COPY