

REV.	ECN NO OR DESCRIPTION	REVISED	DATE
A	PDR RELEASE	IV-C	2017.02.02
B	ECN NO: L170108	EVEN	2017.12.08

SPECIFICATIONS:

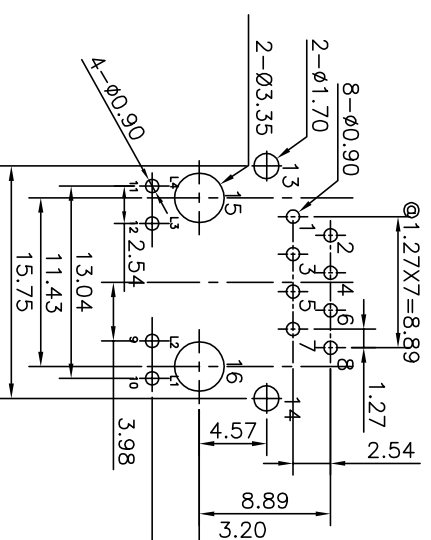
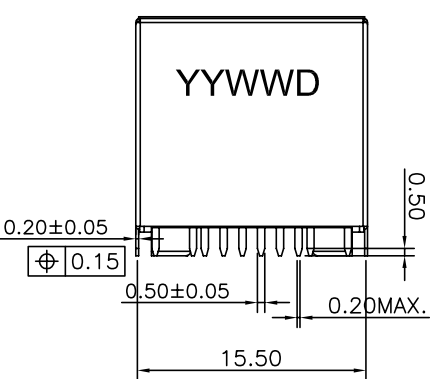
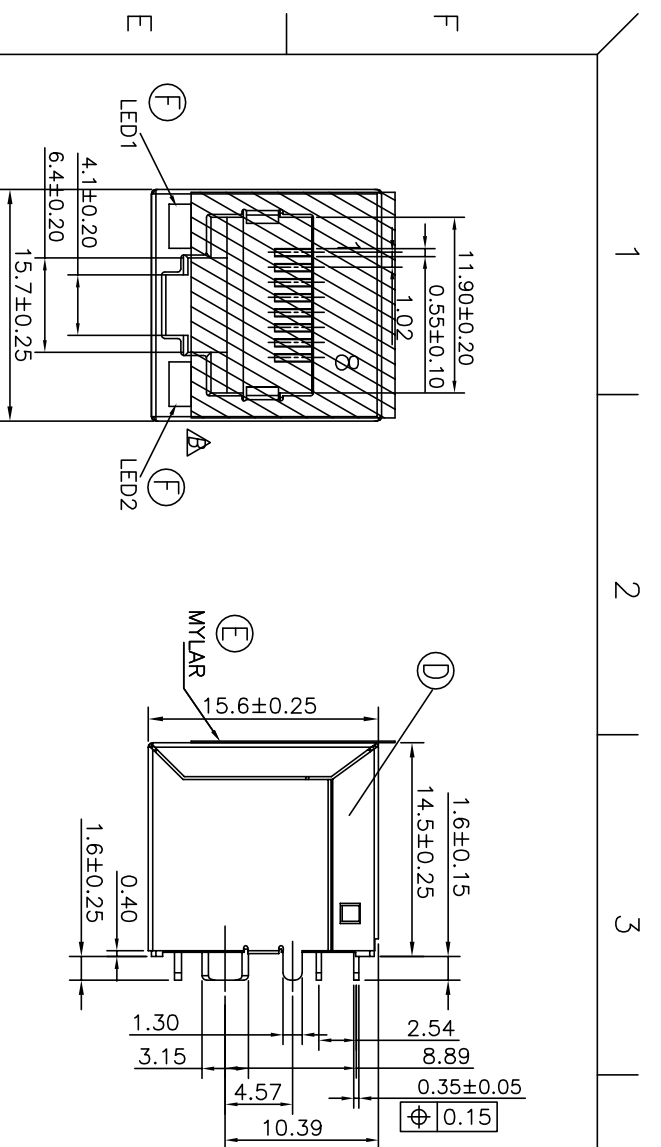
- VOLTAGE RATING: 150 VAC MAX.
- CURRENT RATING: 1.5 AMP MAX.
- INSULATION RESISTANCE: 1000M OHMS MIN. AT 500 VDC.
- DIELECTRIC WITHSTANDING VOLTAGE: 1000 VAC 60Hz 1 MINUTE.
- DURABILITY: 5,000 CYCLES.
- OPERATING TEMPERATURE: -40°C TO +85°C.
- TO CONFORM TO SINGATRON HAZARDOUS SUBSTANCE FREE SPEC.
- HALOGEN FREE PRODUCT IDENTIFICATION LABEL ON PACKAGING:
- PACKAGE: SEE "2RJ1616-010211F" PACKAGE.
- FOR REFLOW SOLDERING LEAD-FREE PROCESS.
- MATES WITH MODULAR PLUG CONFORMING TO FCC PART 68, SUBPART F.
- OTHER GENERAL SPEC. TO REFER " 2RJ1616-010211F SPEC"



PART NO.

2RJ1616-010211F

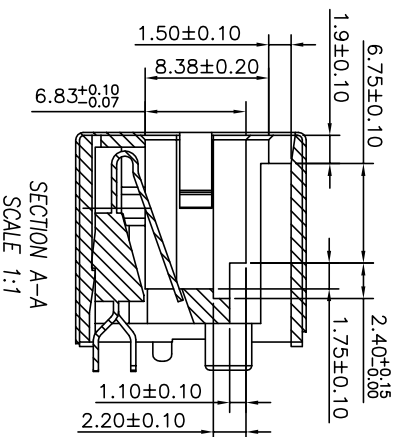
- SUFFIX: HALOGEN FREE
- PACKAGE
- 1: TAPE AND REEL
- HOUSING COLOR
- 1: BLACK
- CONTACT AREA PLATING
- 2: GOLD FLASH ON CONTACT AREA, ON SOLDER AREA MATTE TIN(100~200u") PLATING
- 30~80u" NICKEL UNDERPLATING OVERALL.



PC Board Layout
TOLERANCE:±0.05mm.
Component Side Shown

10/100Base-T		100Base-T4	
Pin1	TX+	Pin1	TX_D1+
Pin2	TX-	Pin2	TX_D1-
Pin3	RX+	Pin3	RX_D2+
Pin4	n/c	Pin4	BL_D3+
Pin5	n/c	Pin5	BL_D3-
Pin6	RX-	Pin6	RX_D2-
Pin7	n/c	Pin7	BL_D4+
Pin8	n/c	Pin8	BL_D4-

LED ELECTRICAL CHARACTERISTIC			
SIZE	NOTE	COLOR	
LED2	RIGHT LED	L2(-) L1(+)	ORANGE
LED1	LEFT LED	L4(-) L3(+)	GREEN



NO	DESCRIPTION	QTY	MATERIAL	PLATING & COLOR
F	LED	2	ORANGE / GREEN	MATTE TIN(100~200u") PLATING ON SOLDER TAILS.
E	MYLAR	1	KAPTON FILM A (15.3*13.8*0.1MM.)	YELLOW
D	SHIELD	1	BRASS	NICKEL
C	CONTACT	8	PHOSPHOR BRONZE	SEE PART NO.
B	COVER	1	HIGH-TEMP. THERMO-PLASTIC, UL 94V-0	BLACK
A	HOUSING	1	HIGH-TEMP. THERMO-PLASTIC, UL 94V-0	BLACK
NO	DESCRIPTION	QTY	MATERIAL	PLATING & COLOR

Singatron Enterprise Co., Ltd.
信音企業股份有限公司

TITLE	RJ45 JACK, VERTICAL, W/SHIELD, DIP TYPE
DWN	EN 2017.12.08 PART NO. 2RJ1616-010211F
CHKD	ACHENG 2017.12.08 SCALE:2.5:1 UNIT: mm
APVD	ACHENG 2017.12.08 SIZE: A3 SHEET:1 OF 1 REV: B

CUSTOMER COPY