

REV.	ECN NO OR DESCRIPTION	REVISED	DATE
A	PDR RELEASE	EVEN	2020.11.19
B	ECN NO: L202211-C05	EVEN	2022.12.13

SPECIFICATIONS:

- VOLTAGE RATING: 150 VAC MAX.
- CURRENT RATING: 1.5 AMP MAX.
- INSULATION RESISTANCE: 1000M OHMS MIN. AT 500 VDC.
- DIELECTRIC WITHSTANDING VOLTAGE: 1000 VAC 60Hz 1 MINUTE.
- DURABILITY: 5,000 CYCLES .
- OPERATING TEMPERATURE: -40°C TO +85°C.
- TO CONFORM TO SINGATRON HAZARDOUS SUBSTANCE FREE SPEC.
- HALOGEN FREE PRODUCT IDENTIFICATION LABEL ON PACKAGING:
- PACKAGE: SEE "2RJ1616-020211F" PACKAGE.
- FOR REFLOW SOLDERING LEAD-FREE PROCESS.
- MATES WITH MODULAR PLUG CONFORMING TO FCC PART 68, SUBPART F.
- OTHER GENERAL SPEC. TO REFER " 2RJ1616-020211F SPEC"



PART NO.

2RJ1616-020211F

SUFFIX: HALOGEN FREE

PACKAGE

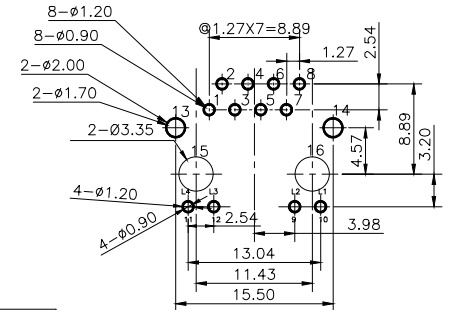
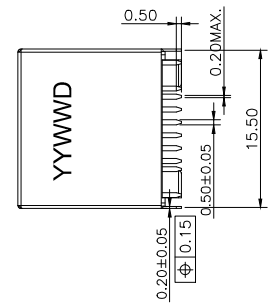
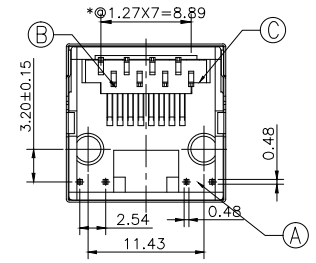
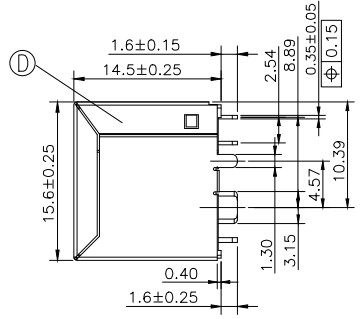
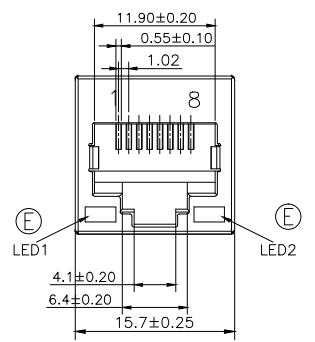
1: TAPE AND REEL

HOUSING COLOR

1: BLACK

CONTACT AREA PLATING

2: GOLD FLASH ON CONTACT AREA,
MATTE TIN(100~200u") PLATING ON SOLDER AREA
30~80u" NICKEL UNDERPLATING OVERALL.

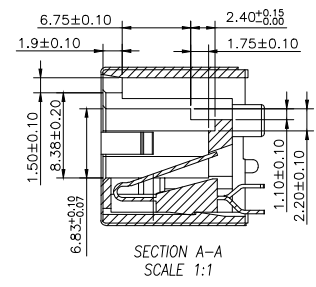
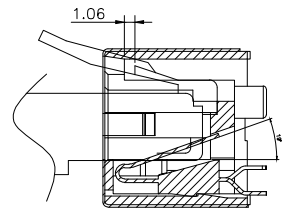
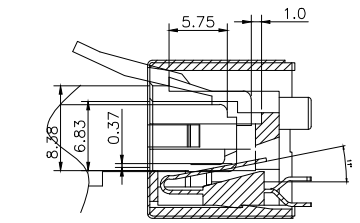


PC Board Layout
TOLERANCE: ±0.05mm.
Component Side Shown

■ :PAD AREA

10/100Base-T		100Base-T4	
Pin1	TX+	Pin1	TX_D1+
Pin2	TX-	Pin2	TX_D1-
Pin3	RX+	Pin3	RX_D2+
Pin4	n/c	Pin4	BL_D3+
Pin5	n/c	Pin5	BL_D3-
Pin6	RX-	Pin6	RX_D2-
Pin7	n/c	Pin7	BL_D4+
Pin8	n/c	Pin8	BL_D4-

LED ELECTRICAL CHARACTERISTIC				
SIZE	NOTE	COLOR		
LED2	RIGHT LED	L2(-) L1(+)	Amber	L2 ← L1
LED1	LEFT LED	L4(-) L3(+)	Green	L4 ← L3



NO	DESCRIPTION	QTY	MATERIAL	PLATING & COLOR
E	LED	2	AMBER / GREEN	MATTE TIN(100~200u") PLATING ON SOLDER TAILS.
D	SHIELD	1	C2680	NICKEL 30~80u"
C	CONTACT	8	C5210-EH	SEE PART NO.
B	COVER	1	FR52 UL 94V-0	BLACK
A	HOUSING	1	LCP UL 94V-0	BLACK

UNLESS OTHERWISE SPECIFIED TOLERANCES		信音科技(香港)有限公司	
DECIMALS:	ANGLES:	TITLE	RJ45 JACK, VERTICAL, W/SHIELD, DIP TYPE
X :±0.5	X :±2°	DWN	EVEN 2022.12.13 PART NO. 2RJ1616-020211F
X.X :±0.3	X.X :±1°	CHKD	SCALE 2.5:1 UNIT: mm
X.XX :±0.2		APVD	ANGELA 2022.12.13 SIZE: A3 SHEET: 1 OF 1 REV: B
CUSTOMER COPY			