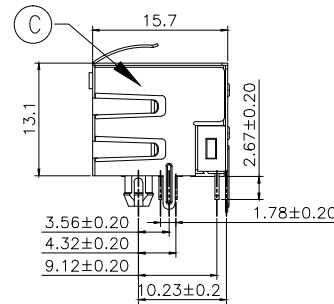
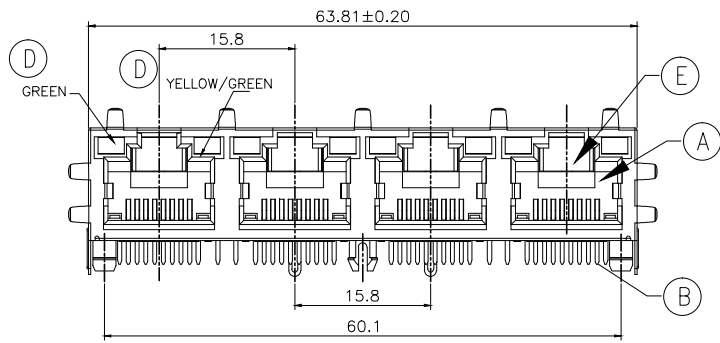
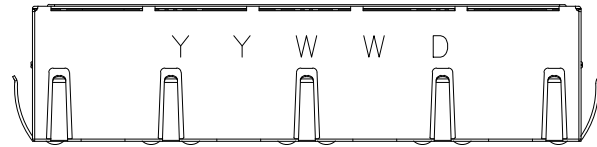


REV.	ECN NO OR DESCRIPTION	REVISED	DATE
A	PDR RELEASE	EVEN	2017.10.18
B	ECN NO.L202202-001	EVEN	2022.03.09

SPECIFICATIONS:

- VOLTAGE RATING: 125 VAC MAX.
- CURRENT RATING: 1.5 AMP MAX.
- INSULATION RESISTANCE: 1000M OHMS MIN. AT 500 VDC.
- DIELECTRIC WITHSTANDING VOLTAGE: 750 VAC 60Hz 1 MINUTE.
- DURABILITY: 750 CYCLES .
- OPERATING TEMPERATURE: -40°C TO +85°C.
- TO CONFORM TO SINGATRON HAZARDOUS SUBSTANCE FREE SPEC.
- GREEN PRODUCT IDENTIFICATION LABEL ON PACKAGING: **G.P. PASS**
- PACKAGE: SEE "2RJ1620-013111H" PACKAGE.
- WAVE SOLDERING LEAD-FREE PROCESS 245±5°C .
- MATES WITH MODULAR PLUG CONFORMING TO FCC PART 68, SUBPART F.
- OTHER GENERAL SPEC. TO REFER "2RJ1620-013111H SPEC".

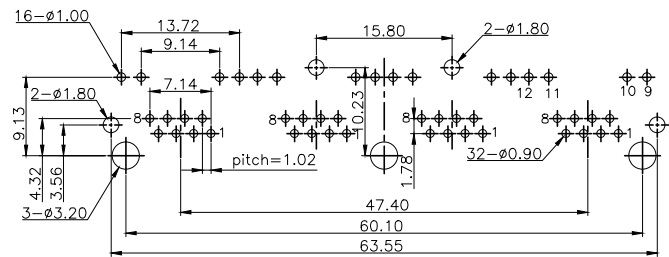
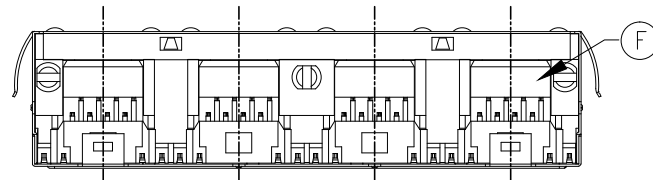


PART NO.
2RJ1620-013111H

- SUFFIX: HALOGEN
- PACKAGE
- 1: TRAY
- HOUSING COLOR
- 1: BLACK

LED OPTIONAL
1: LED2: GREEN; LED1: YELLOW/GREEN

- CONTACT AREA PLATING
- 1: 6u" Au ON CONTACT AREA,
- TIN(100~200u") PLATING ON SOLDER AREA
- △ 50u" MIN NICKEL UNDERPLATED OVER ALL



PCB Layout
Component Side Shown



NO	DESCRIPTION	QTY	MATERIAL	PLATING & COLOR
F	INSERT	4	PA10T UL 94V-0	BLACK
E	COVER	4	PA10T UL 94V-0	BLACK
D	LED	8	LED	SEE PART NO.
C	SHIELD	1	C2680	NICKEL 30~50u" △
B	CONTACT	32	C5210	SEE PART NO.
A	HOUSING	1	PA10T UL 94V-0	BLACK

UNLESS OTHERWISE SPECIFIED TOLERANCES

信音科技(香港)有限公司

DECIMALS:	ANGLES:	TITLE	RJ45 JACK, W/SHIELDED, W/LED, DIP TYPE,(1X4)		
X :±0.5	X :±2°	DWN	EVEN2022.03.09	PART NO. 2RJ1620-013111H	
X.X :±0.3	X.X :±1°	CHKD		SCALE 2:1	UNIT: mm
X.XX :±0.2		APVD	ANGEL2022.03.09	SIZE: A3	SHEET:1 OF 1 REV:B

CUSTOMER COPY