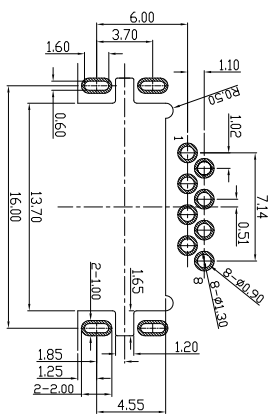
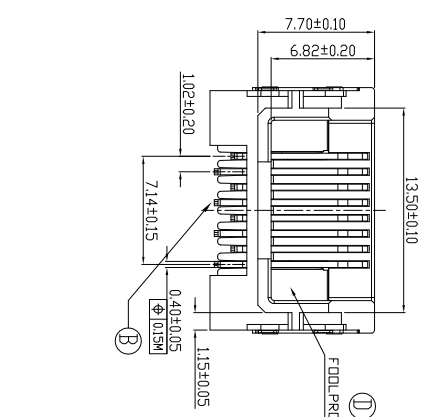
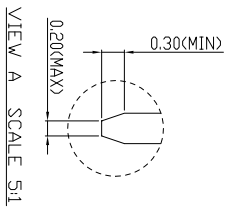
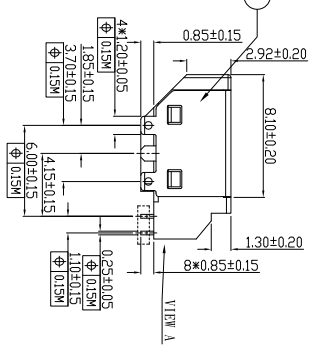
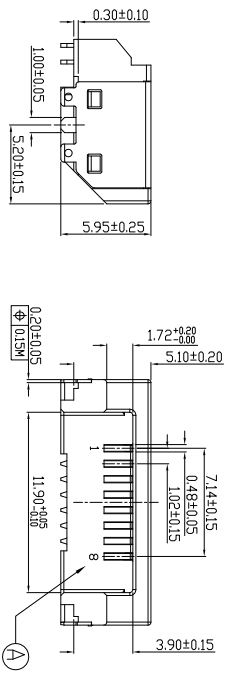
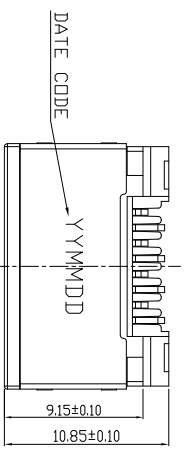


REV	ECN NO OR DESCRIPTION	REVISED	DATE
A	PDR RELEASE	EVEN	2021.01.27



RECOMMENDED PCB LAYOUT
TOLERANCE:±0.05mm

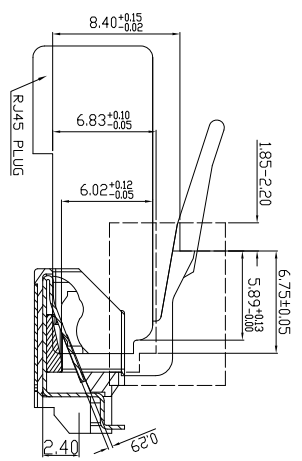
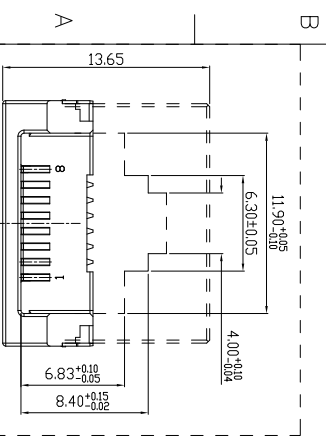
SPECIFICATIONS:

- VOLTAGE RATING: 150 VAC MAX.
- CURRENT RATING: 1.5 AMP MAX.
- INSULATION RESISTANCE: 1000M OHMS MIN. AT 500 VDC.
- DIELECTRIC WITHSTANDING VOLTAGE: 1000 VAC 60HZ 1 MINUTE.
- DURABILITY: 5000 CYCLES
- OPERATING TEMPERATURE: -30°C TO +70°C.
- OTHER GENERAL SPEC. TO REFER "2RJ1660-003211F SPEC".
- TO CONFORM TO SINGATRON HAZARDOUS SUBSTANCE FREE SPEC.
- HALOGEN FREE PRODUCT IDENTIFICATION LABEL ON PACKAGING.
- PACKAGE: SEE "2RJ1660-003211F" PACKAGE.
- FOR REFLOW SOLDERING LEAD-FREE PROCESS.
- MATES WITH MODULAR PLUG CONFORMING TO FCC PART 68, SUBPART F.



PART NO.
2RJ1660-003211F

SUFFIX: HALOGEN FREE
PACKAGE
1: TAPE AND REEL
HOUSING COLOR
1: BLACK
CONTACT AREA PLATING
2: 30u" GOLD ON CONTACT AREA,
80u" MIN. MATTE TIN(Sn) PLATED ON SOLDER AREA.
30u" MIN. NICKEL UNDERPLATED OVERALL.



NO	DESCRIPTION	QTY	MATERIAL	PLATING & COLOR
D	DEFEND	2	LCP UL 94V-0	BLACK
C	SHIELD	1	SUS201	30~100u" NICKEL
B	CONTACT	8	C5210	SEE PART NO.
A	HOUSING	1	PA10 UL 94V-0	BLACK
NO	DESCRIPTION	QTY	MATERIAL	PLATING & COLOR

UNLESS OTHERWISE SPECIFIED TOLERANCES

DECIMALS: ANGLES:

X : ±0.5 X : ±2°
X.X : ±0.3 X.X : ±1°
X.XX : ±0.2

信普科技(香港)有限公司

TITLE: RJ45 HALF JACK, W/SHIELD, DIP TYPE, H=4.10mm
DWG: ENR120210127 **PART NO. 2RJ1660-003211F**
CHKD: SCALE: 3/1 UNIT: mm
APVD: AMR120210127 SIZE: A3 SHEET: 1 OF 1 **REV:A**

CUSTOMER COPY