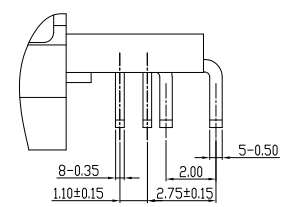
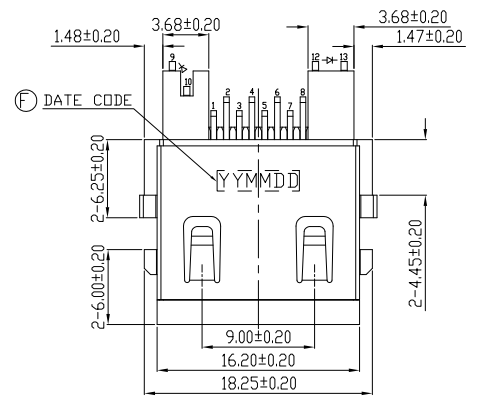


REV.	ECN NO OR DESCRIPTION	REVISED	DATE
A	PDR RELEAS	Even	2013.06.03
B	ECN NO:L130105	IVY-C	2013.11.25
C	ECN NO:L202008-001	EVEN	2020.11.30

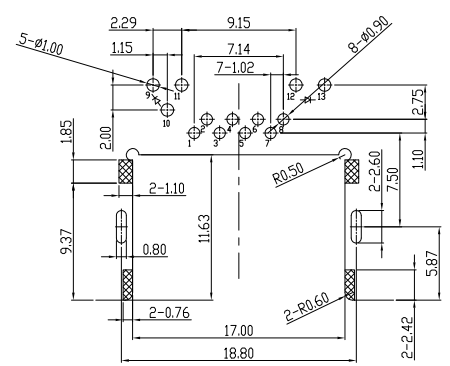
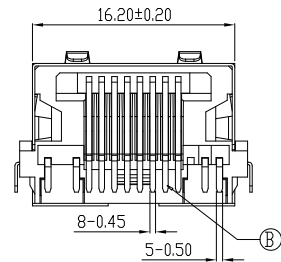
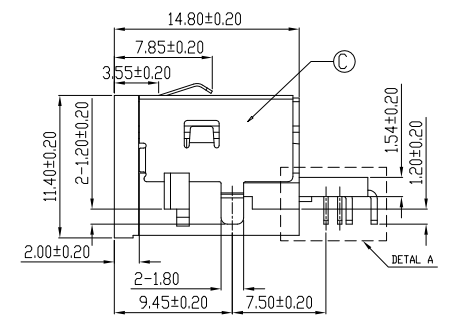
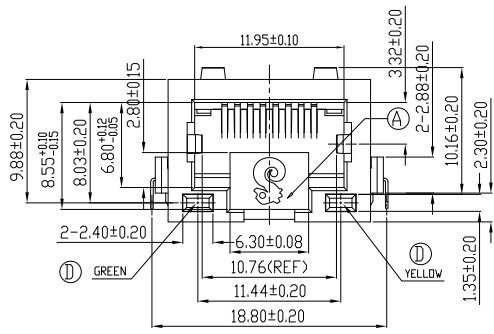


- SPECIFICATIONS:
- VOLTAGE RATING: 150 VAC MAX.
  - CURRENT RATING: 1.5 AMP MAX.
  - INSULATION RESISTANCE: 500M OHMS MIN. AT 500 VDC.
  - DIELECTRIC WITHSTANDING VOLTAGE: 500 VAC 60Hz 1 MINUTE.
  - DURABILITY: 5000 CYCLES .
  - OPERATING TEMPERATURE: -30°C TO +70°C.
  - TO CONFORM TO SINGATRON HAZARDOUS SUBSTANCE FREE SPEC.
  - HALOGEN FREE PRODUCT IDENTIFICATION LABEL ON PACKAGING:
  - PACKAGE: SEE "2RJ1662 SERIES" PACKAGE.
  - FOR REFLOW SOLDERING LEAD-FREE PROCESS.
  - MATES WITH MODULAR PLUG CONFORMING TO FCC PART 68, SUBPART F.
  - OTHER GENERAL SPEC. TO REFER "2RJ1662 SERIES SPEC".

PART NO.  
**2RJ1662-000111F**

- SUFFIX: HALOGEN FREE
- PACKAGE: TAPE & REEL
- HOUSING COLOR: BLACK
- CONTACT AREA PLATING: 5u"Min. Au PLATING ON CONTACT AREA, 50u"Min. MATTE TIN(Sn) PLATING ON SOLDER AREA. NICKEL UNDERPLATED OVERALL.

LED ELECTRICAL CHARACTERISTIC		
NODE	COLOR	
9(-) 10(+)	GREEN	9 ←K10
12(+)	YELLOW	12 →K13



F	INK	1	N/A	BLACK
E	COVER	1	PA10T UL 94V-0	BLACK
D	LED	2	GREEN, YELLOW	40u" Ag PLATED
C	SHIELD	1	SUS201	50u" Ni PLATED
B	CONTACT	8	C5210	SEE PART NO.
A	HOUSING	1	PA10T UL 94V-0	BLACK

NO	DESCRIPTION	QTY	MATERIAL	PLATING & COLOR
UNLESS OTHERWISE SPECIFIED TOLERANCES				
信音科技(香港)有限公司				
DECIMALS:		ANGLES:		
X	:±0.5	X	:±2°	
X.X	:±0.3	X.X	:±1°	
X.XX	:±0.2			
TITLE	RJ45 JACK, W/LED, R/A, SINKING, DIP TYPE, H=9.10mm			
DWN	EVEN 2020.11.27	PART NO. 2RJ1662-000111F		
CHKD		SCALE 3/1	UNIT: mm	
APVD	ANGELA 2020.11.27	SIZE: A3	SHEET: 1 OF 1	REV: C

CUSTOMER COPY