

- SPECIFICATIONS:**
- VOLTAGE RATING: 125 VAC MAX.
 - CURRENT RATING: 1.5 AMP MAX.
 - INSULATION RESISTANCE: 1,000M OHMS MIN. AT 500 VDC.
 - DIELECTRIC WITHSTANDING VOLTAGE: 1000 VAC 60Hz 1 MINUTE.
 - DURABILITY: 750 CYCLES.
 - OPERATING TEMPERATURE: -40°C TO +85°C.
 - OTHER GENERAL SPEC. TO REFER "2R1663 SERIES SPEC".
 - TO CONFORM TO SINGATRON HAZARDOUS SUBSTANCE FREE SPEC.
 - HALOGEN FREE PRODUCT IDENTIFICATION LABEL ON PACKAGING.
 - PACKAGE: SEE "2R1663 SERIES" PACKAGE.
 - FOR REFLOW SOLDERING LEAD-FREE PROCESS.
 - MATES WITH MODULAR PLUG CONFORMING TO FCC PART 68, SUBPART F.

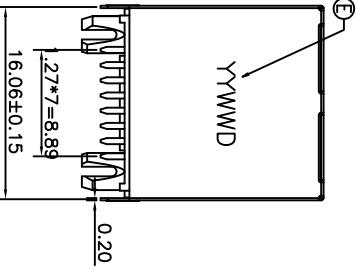
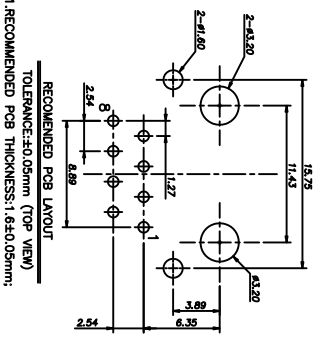


PART NO.
2R1663-000111E
SUFFIX: HALOGEN FREE

PACKAGE
1: TAPE & REEL
HOUSING COLOR
1: BLACK

CONTACT AREA PLATING ON CONTACT AREA,
1: GOLD FLASH PLATING ON SOLDER AREA,
50µ" MIN NICKEL UNDERPLATED OVERALL.

1. RECOMMENDED PCB THICKNESS: 1.6±0.05mm;
2. PROCESS TEMPERATURE SHOULD NOT EXCEED 260 CENTIGRADE;
3. DIMENSION TOLERANCE: ±0.05;
TOLERANCE: ±0.05mm (TOP VIEW)
RECOMMENDED PCB LAYOUT



NO	DESCRIPTION	QTY	MATERIAL	PLATING & COLOR
A	HOUSING	1	LCP UL 94V-0	BLACK
UNLESS OTHERWISE SPECIFIED TOLERANCES				
DECIMALS: ANGLES:				
X	:±0.5	X	:±2°	
X.X	:±0.3	X.X	:±1°	
X.XX	:±0.2			
TITLE R45 898C JACK, VERTICAL, W/SHIELD, DIP TYPE, H=17.02mm				
DWN IN-C 2016/04/14 PART NO. 2R1663-000111F				
CHKD ANCEL2016/05/04 SCALE 3/1 UNIT: mm				
APVD ANCEL2016/05/04 SIZE: A3 SHEET: 1 OF 1 REV: E				

CUSTOMER COPY

SINGATRON
信登企業股份有限公司
Singatron Enterprise Co., Ltd.