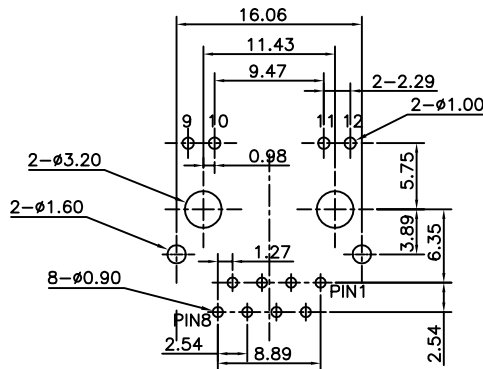
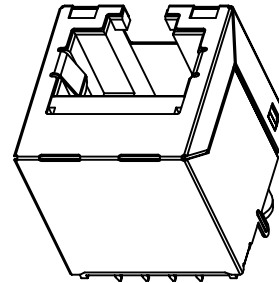
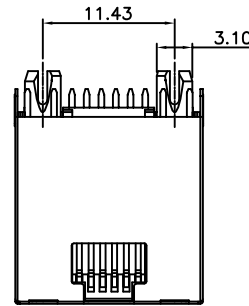


REV.	ECN NO OR DESCRIPTION	REVISED	DATE
A	PDR RELEASE	IVY-C	2015.05.14

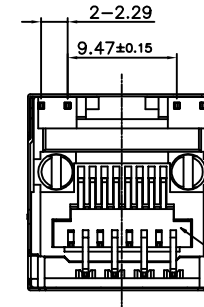
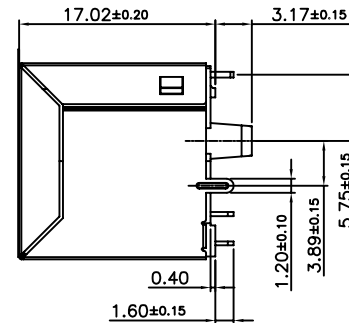
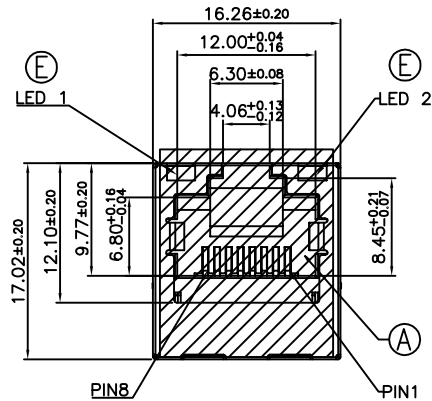
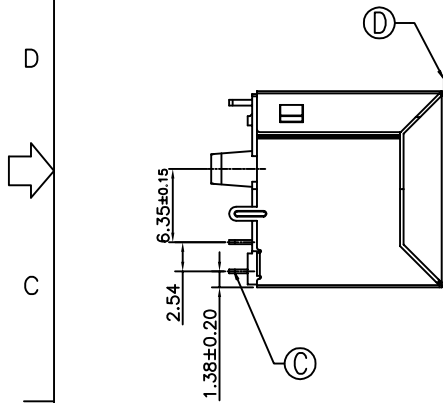


PC Board Layout
Component Side Shown



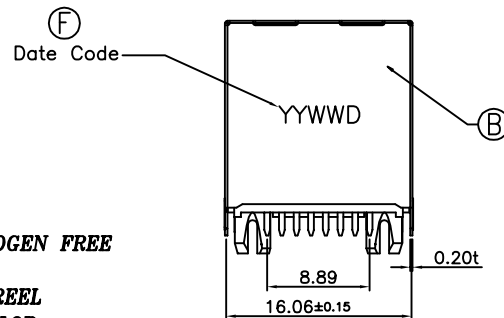
SPECIFICATIONS:

- VOLTAGE RATING: 125 VAC MAX.
- CURRENT RATING: 1.5 AMP MAX.
- INSULATION RESISTANCE: 1,000M OHMS MIN. AT 500 VDC.
- DIELECTRIC WITHSTANDING VOLTAGE: 750 VAC 60Hz 1 MINUTE.
- DURABILITY: 750 CYCLES .
- OPERATING TEMPERATURE: -40°C TO +85°C.
- OTHER GENERAL SPEC. TO REFER "2RJ1663-0X0111F SPEC".
- TO CONFORM TO SINGATRON HAZARDOUS SUBSTANCE FREE SPEC.
- HALOGEN FREE PRODUCT IDENTIFICATION LABEL ON PACKAGING:
- PACKAGE: SEE "2RJ1663-0X0111F" PACKAGE.
- FOR REFLOW SOLDERING LEAD-FREE PROCESS.
- MATES WITH MODULAR PLUG CONFORMING TO FCC PART 68, SUBPART F.



2RJ1663-0X0111F

1	9	10	11	12
	GREEN		ORANGE	
2	9	10	11	12
	YELLOW		RED	
	LED 1		LED 2	



Date Code

- PART NO.**
2RJ1663-0X0111F
- LED COLOR**
1: Right: ORANGE
Left: GREEN
2: Right: RED
Left: YELLOW
- SUFFIX: HALOGEN FREE**
- PACKAGE**
1: TAPE & REEL
- HOUSING COLOR**
1: BLACK
- CONTACT AREA PLATING**
1: GOLD FLASH PLATING ON CONTACT AREA,
MATTE TIN PLATING ON SOLDER AREA.
NICKEL UNDERPLATED OVERALL.

G	INSERT	1	PA10T UL 94V-0	BLACK
F	INK			BLACK
E	LED	2		TIN PLATED
D	MYLAR	1		YELLOW
C	CONTACT	8	C5210 0.35t	SEE PART NO.
B	SHIELD	1	SUS 201 0.2t	NICKEL PLATED
A	HOUSING	1	LCP UL 94V-0	BLACK
NO	DESCRIPTION	QTY	MATERIAL	PLATING & COLOR

UNLESS OTHERWISE SPECIFIED TOLERANCES

Singatron Enterprise Co., Ltd.
信音企業股份有限公司

DECIMALS:	ANGLES:	TITLE	RJ45 8PBC JACK, VERTICAL, W/SHIELD, DIP TYPE ,H=17.02mm		
X :±0.5	X :±2°	DWN	NY-C 2015.05.14	PART NO. 2RJ1663-0X0111F	
X.X :±0.3	X.X :±1°	CHKD	ANGELA2015.05.14	SCALE 1:1	UNIT: mm
X.XX :±0.2		APVD	ANGELA2015.05.14	SIZE: A3	SHEET:1 OF 1 REV: A

CUSTOMER COPY