

REV.	ECN NO OR DESCRIPTION	REVISED	DATE
A	PDR RELEASE	IVY-C	2014.05.15
B	ECN NO: L140174	IVY-C	2015.01.16

SPECIFICATIONS:

- VOLTAGE RATING: 150 VAC MAX.
- CURRENT RATING: 1.5 AMP MAX.
- INSULATION RESISTANCE: 500M OHMS MIN.
- DIELECTRIC WITHSTANDING VOLTAGE: 500 VAC 60Hz 1 MINUTE.
- DURABILITY: 5000 CYCLES .
- OPERATING TEMPERATURE: -30°C TO +70°C.
- TO CONFORM TO SINGATRON HAZARDOUS SUBSTANCE FREE SPEC.
- HALOGEN FREE PRODUCT IDENTIFICATION LABEL ON PACKAGING:
- PACKAGE: SEE "2RJ1706 SERIES" PACKAGE.
- FOR REFLOW SOLDERING LEAD-FREE PROCESS.
- MATES WITH MODULAR PLUG CONFORMING TO FCC PART 68, SUBPART F
- OTHER GENERAL SPEC. TO REFER "2RJ1706 SERIES SPEC".



PART NO.

2RJ1706-000111F

SUFFIX: HALOGEN FREE

PACKAGE

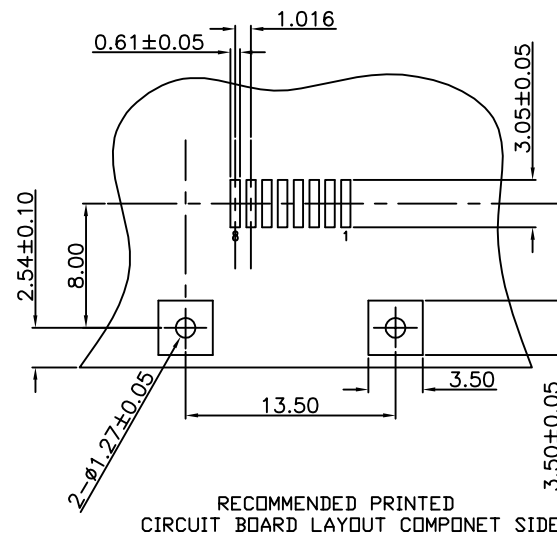
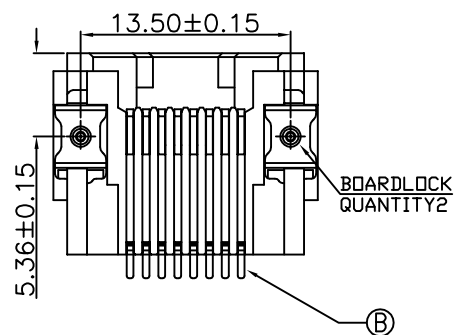
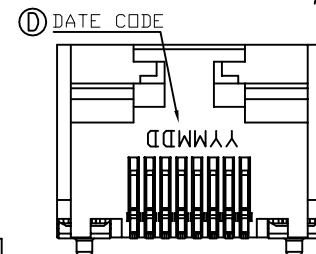
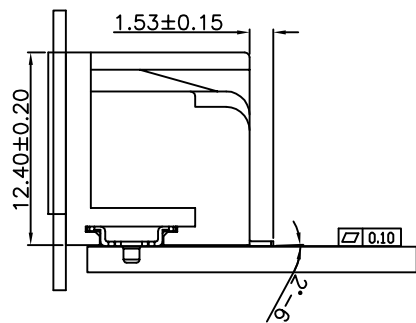
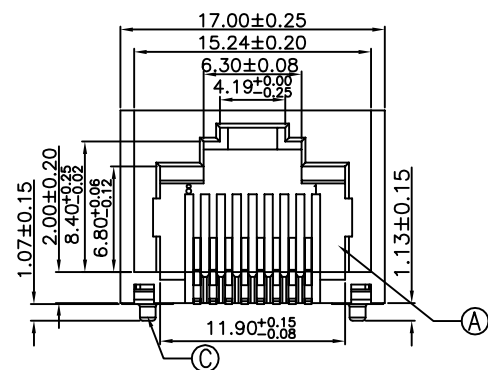
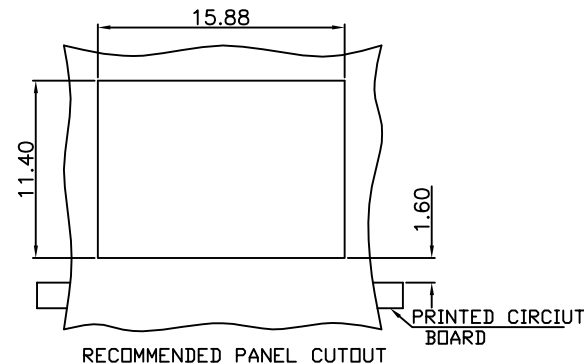
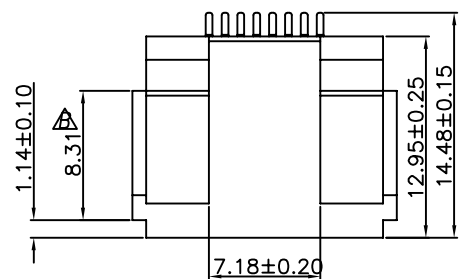
1: TAPE AND REEL

HOUSING COLOR

1: BLACK

CONTACT AREA PLATING

1: Au 30u" ON CONTACT AREA,
MATTE TIN PLATED ON SOLDER AREA.



D	INK		BLACK	
C	BOARDLOCK	2	BRASS MATTE TIN	
B	CONTACT	8	COPPER ALLOY SEE PART NO.	
A	HOUSING	1	HIGH-TEMP. THERMO- PLASTIC, UL 94V-0 BLACK	
NO	DESCRIPTION	QTY	MATERIAL	PLATING & COLOR
UNLESS OTHERWISE SPECIFIED TOLERANCES		Singatron Enterprise Co., Ltd. 信音企業股份有限公司		
DECIMALS:	ANGLES:	TITLE	MINI RJ45 PHONE JACK	
X : ±0.5	X : ±2°	DWN	NY-C 2015.01.16	PART NO. 2RJ1706-000111F
X.X : ±0.3	X.X : ±1°	CHKD	ANGEL2015.01.16	SCALE: N/A UNIT: mm
X.XX : ±0.2		APVD	ANGEL2015.01.16	SIZE: A3 SHEET: 1 OF 1 REV: B
CUSTOMER COPY				