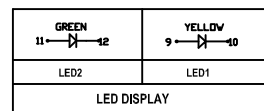
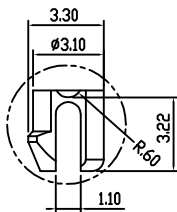
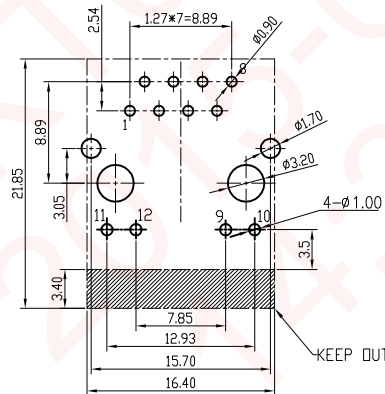
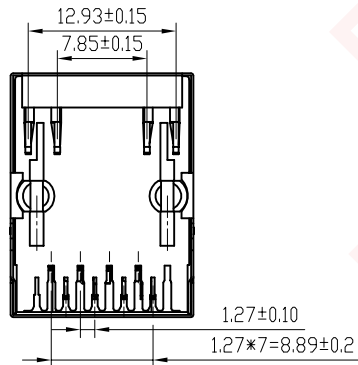
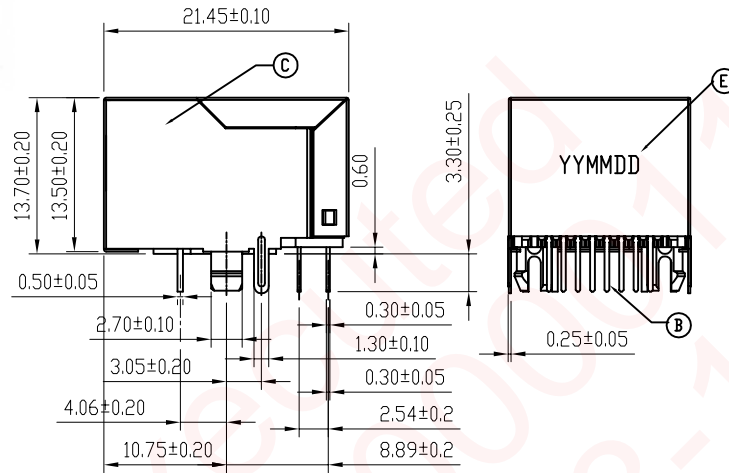
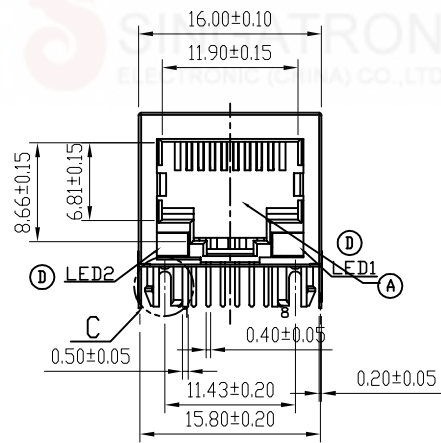


REV.	ECN NO OR DESCRIPTION	REVISED	DATE
A	PDR RELEASE	IVY-C	2015.08.05



**SPECIFICATIONS:**

- VOLTAGE RATING: 125 VAC MAX.
- CURRENT RATING: 1.5 AMP MAX.
- INSULATION RESISTANCE: 1000M OHMS MIN. AT 500 VDC.
- DIELECTRIC WITHSTANDING VOLTAGE: 750 VAC 60Hz 1 MINUTE.
- DURABILITY: 750 CYCLES .
- OPERATING TEMPERATURE: -40°C TO +85°C.
- TO CONFORM TO SINGATRON HAZARDOUS SUBSTANCE FREE SPEC.
- HALOGEN FREE PRODUCT IDENTIFICATION LABEL ON PACKAGING:
- PACKAGE: SEE "2RJ1710-120112F " PACKAGE.
- FOR REFLOW SOLDERING LEAD-FREE PROCESS.
- MATES WITH MODULAR PLUG CONFORMING TO FCC PART 68, SUBPART F.
- OTHER GENERAL SPEC. TO REFER " 2RJ1710 SERIES SPEC"

**PART NO.**

**2RJ1710-120112F**

**LED COLOR**

- 2: LED1:YELLOW
- LED2: GREEN

**SUFFIX: HALOGEN FREE**

- PACKAGE 2: TAPE & REEL
- HOUSING COLOR 1: BLACK

**CONTACT AREA PLATING**

- 1: GOLD FLASH ON CONTACT AREA, 100~200u" MATTE TIN ON SOLDER AREA, ALL OVER NI 50u" Min.

E	INK		BLACK	
D	LED	2	YELLOW/GREEN	
C	SHELL	1	C2680-H 0.2t NICKEL	
B	CONTACT	8	C5210-EH 0.3t SEE PART NO.	
A	HOUSING	1	PA10T UL 94V-0 BLACK	
NO	DESCRIPTION	QTY	MATERIAL	PLATING & COLOR

UNLESS OTHERWISE SPECIFIED TOLERANCES

Singatron Enterprise Co., Ltd.  
信音企業股份有限公司

DECIMALS: ANGLES:  
X :±0.3 X :±2°  
X.X :±0.25 X.X :±1°  
X.XX :±0.2

TITLE	1X1 RJ45 JACK W/SHIELD W/LED		
DWN	NY-C 2015.08.05	PART NO. 2RJ1710-120112F	
CHKD	ANGELA 2015.08.05	SCALE 1.4:1	UNIT: mm
APVD	ANGELA 2015.08.05	SIZE: A3	SHEET: 1 OF 1 REV: A

**CUSTOMER COPY**