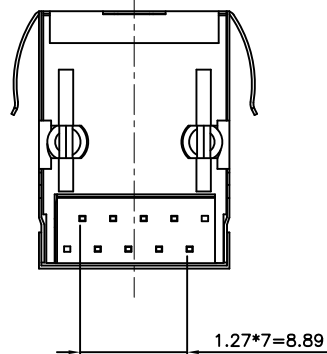
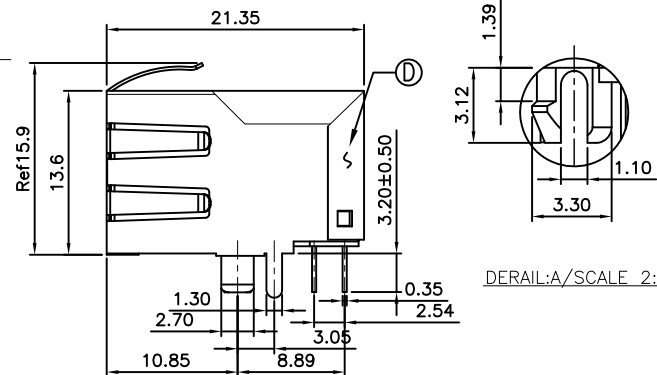
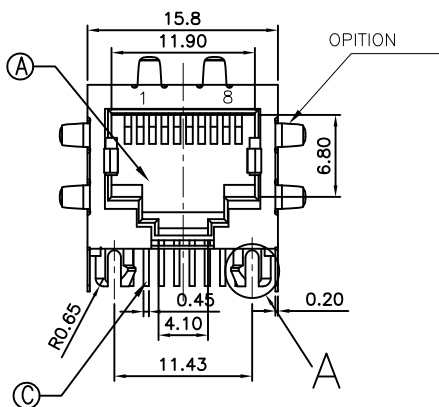


PC Board Layout Component TOP VIEW



Frequency MHz	Near-End Cross Talk dB, Min.	Return Loss dB, Min.	Attenuation dB, Max.
1.0	65	30	0.1
4.0	65	30	0.1
8.0	64.9	30	0.1
10.0	63	30	0.1
16.0	58.9	30	0.2
20.0	57	30	0.2
25.0	55	30	0.2
31.25	53.1	30	0.2
62.5	47.1	24.1	0.3
100.0	43	20	0.4

REV.	ECN NO OR DESCRIPTION	REVISED	DATE
A	PDR RELEASE	Even	2017.10.18
B	ECN NO: S181046-C	PAN	2018.11.21
C	ECN NO: L202012-001	Even	2021.01.19

SPECIFICATIONS:

- VOLTAGE RATING: 125 VAC MAX.
- CURRENT RATING: 1.5 AMP MAX.
- CONTACT RESISTANCE: 45 MILLIOHMS MAX.
- INSULATION RESISTANCE: 1000M OHMS MIN. AT 500 VDC.
- DIELECTRIC WITHSTANDING VOLTAGE: 1500 VAC RMS 60HZ, 1MIN BETWEEN SIGNAL AND EARTH.
- DURABILITY: 750 CYCLES .
- OPERATING TEMPERATURE: -40°C TO +85°C.
- TO CONFORM TO SINGATRON HAZARDOUS SUBSTANCE FREE SPEC.
- GREEN PRODUCT IDENTIFICATION LABEL ON PACKAGING: **G.P. PASS**
- PACKAGE: SEE "2RJ1717-001211H" PACKAGE.
- FOR REFLOW SOLDERING LEAD-FREE PROCESS.
- MATES WITH MODULAR PLUG CONFORMING TO FCC PART 68, SUBPART F.
- OTHER GENERAL SPEC. TO REFER "2RJ1717-001211H SPEC".

PART NO.
2RJ1717-001211H

- SUFFIX: HALOGEN
- PACKAGE
1: TRAY
- HOUSING COLOR
1: BLACK
- CONTACT AREA PLATING
2: 50u" Au ON CONTACT AREA,
Sn(100~200u")/TIN PLATING ON SOLDER AREA.
OVER 50u" NICKEL

NO	DESCRIPTION	QTY	MATERIAL	PLATING & COLOR
D	PCB	1	FR-4, 0.5t	
C	CONTACT	8	C5210-EH 0.35t	SEE PART NO.
B	SHELL	1	C2680 0.25t	30~80u" NICKEL Δ
A	HOUSING	1	PA10T UL 94V-0	BLACK
UNLESS OTHERWISE SPECIFIED TOLERANCES				
DECIMALS: ANGLES: TITLE				
X	:±0.5	X	:±2°	DWN
XX	:±0.3	XX	:±1°	CHKD
XXX	:±0.2			APVD
EVEN 2021.01.19 PART NO. 2RJ1717-001211H				
SCALE:N/A UNIT: mm				
SIZE: A3 SHEET:1 OF 1 REV:C				
CUSTOMER COPY				