


REV.	ECN NO OR DESCRIPTION	REVISED	DATE
A	PDR RELEASE	IVY-C	2015.04.08

SPECIFICATIONS:

- VOLTAGE RATING: 150 VAC MAX.
- CURRENT RATING: 1.5 AMP MAX.
- CONTACT RESISTANCE: 40 MILLIOHMS MAX.
- INSULATION RESISTANCE: 100M OHMS MIN.
- DIELECTRIC WITHSTANDING VOLTAGE: 1000 VAC 60Hz 1 MINUTE.
- DURABILITY: 5000 CYCLES .
- OPERATING TEMPERATURE: -30°C TO +70°C.
- TO CONFORM TO SINGATRON HAZARDOUS SUBSTANCE FREE SPEC.
- HALOGEN FREE PRODUCT IDENTIFICATION LABEL ON PACKAGING: 
- PACKAGE: SEE "2RJ1727 SERIES" PACKAGE.
- FOR REFLOW SOLDERING LEAD-FREE PROCESS.
- MATES WITH MODULAR PLUG CONFORMING TO FCC PART 68, SUBPART F.
- OTHER GENERAL SPEC. TO REFER "2RJ1727 SERIES SPEC".

PART NO.

2RJ1727-010111F

SUFFIX: HALOGEN FREE

PACKAGE
1: TAPE & REEL

HOUSING COLOR
1: BLACK

CONTACT PLATING

1: GOLD FLASH ON CONTACT AREA,
TIN PLATING ON SOLDER AREA
NICKEL UNDERPLATED OVERALL

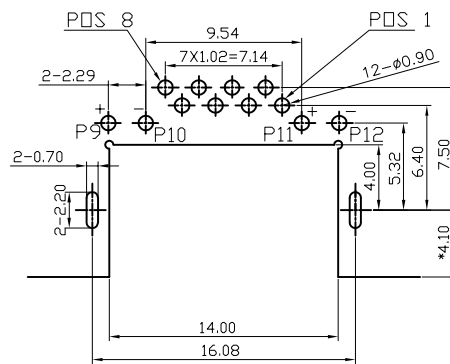
E	INK		BLACK	
D	LED	2	YELLOW/GREEN	
C	CONTACT	8	C5210-E 0.25t SEE PART NO.	
B	SHIELD	1	C2680-H 0.25t NICKEL	
A	HOUSING	1	FR52 UL 94V-0 BLACK	
NO	DESCRIPTION	QTY	MATERIAL	PLATING & COLOR

UNLESS OTHERWISE SPECIFIED TOLERANCES

 Singatron Enterprise Co., Ltd.
信音企業股份有限公司

DECIMALS:	ANGLES:	TITLE	RJ45 JACK WITH LED	
X :±0.5	X :±2°	DWN	NY-C 2015.04.08	PART NO. 2RJ1727-010111F
X.X :±0.3	X.X :±1°	CHKD	ANCELA 2015.04.08	SCALE:N/A UNIT: mm
X.XX :±0.2		APVD	ANCELA 2015.04.08	SIZE: A3 SHEET:1 OF 1 REV: A

CUSTOMER COPY



PCB LAYOUT

NOTES:
1. UNSPECIFIED TOLERANCE: .XX±0.05

