

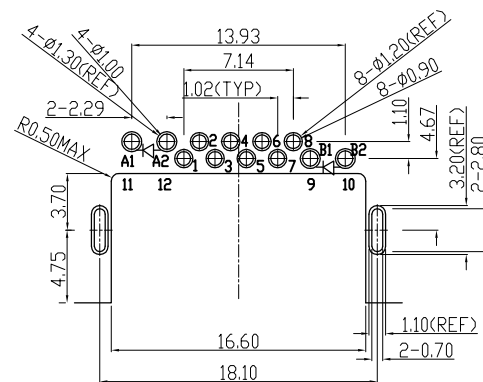
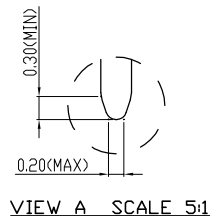
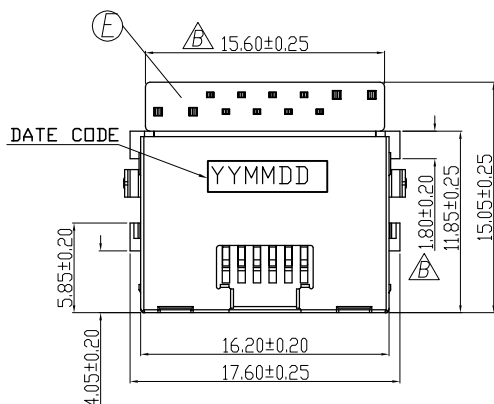
REV.	ECN NO OR DESCRIPTION	REVISED	DATE
A	PDR RELEASE	IVY-C	2015.09.21
B	ECN NO: L170009	IVY-C	2017.02.15

SPECIFICATIONS:

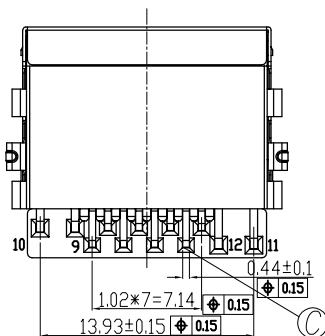
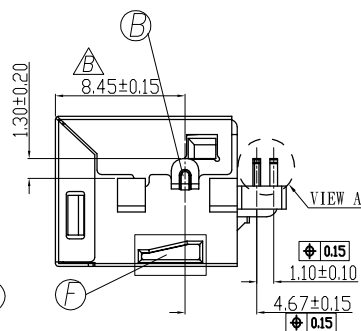
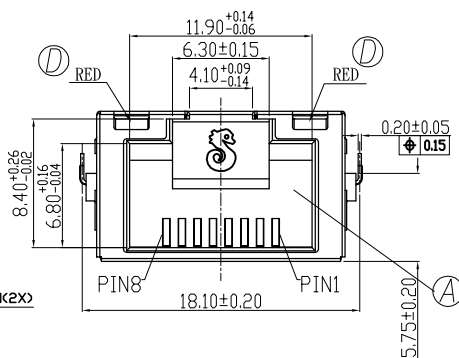
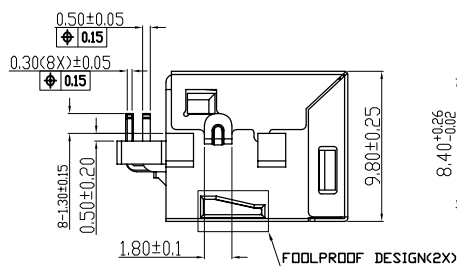
- VOLTAGE RATING: 150 VAC MAX.
- CURRENT RATING: 1.5 AMP MAX.
- INSULATION RESISTANCE: 500MΩ MIN. AT 500V DC
- DIELECTRIC WITHSTANDING VOLTAGE: 500 VAC 60Hz 1 MINUTE.
- OPERATING TEMPERATURE: -30°C TO +70°C.
- TO CONFORM TO SINGATRON HAZARDOUS SUBSTANCE FREE SPEC.
- HALOGEN FREE PRODUCT IDENTIFICATION LABEL ON PACKAGING:
- PACKAGE: SEE "2RJ1729-010X11F" PACKAGE.
- FOR REFLOW SOLDERING LEAD-FREE PROCESS.
- MATES WITH MODULAR PLUG CONFORMING TO FCC PART 68, SUBPART F.
- DURABILITY: 5000 CYCLES.
- OTHER GENERAL SPEC. TO REFER "2RJ1729-010X11F SPEC".



LED ELECTRICAL CHARACTERISTIC			
NODE	COLOR	WAVELENGTH	
A1(-) A2(+)	RED	620-630nm	A1 (-) A2
B1(-) B2(+)	RED		B1 (-) B2



RECOMMENDED PCB LAYOUT  
TOLERANCE: ±0.05mm  
RECOMMENDED PCB THICKNESS: 1.00±0.05



PART NO.

2RJ1729-010X11F

LED COLOR: 1: RED  
SUFFIX: HALOGEN FREE

- PACKAGE: 1: TAPE & REEL
- HOUSING COLOR: 1: BLACK
- CONTACT PLATING: 1: GOLD FLASH ON CONTACT AREA, MATTE TIN PLATING ON SOLDER AREA, NICKEL UNDERPLATED OVERALL; 2: 30u" GOLD ON CONTACT AREA, MATTE TIN PLATING ON SOLDER AREA, NICKEL UNDERPLATED OVERALL

NO	DESCRIPTION	QTY	MATERIAL	PLATING & COLOR
F	STOPPLE	2	LCP UL 94V-0	BLACK COLOR
E	COVER	1	LCP UL 94V-0	BLACK COLOR
D	LED	2		RED
C	CONTACT	8	C5210R 0.3t	SEE PART NO.
B	SHELL	1	SUS 0.2t	NICKEL
A	HOUSING	1	PA10 UL 94V-0	BLACK COLOR

UNLESS OTHERWISE SPECIFIED TOLERANCES

Singatron Enterprise Co., Ltd.  
信音企業股份有限公司

DECIMALS: X : ±0.5  
X.X : ±0.3  
X.XX : ±0.2

TITLE: RJ45 PHONE JACK  
DWN: IVY-C 2017.02.15  
CHKD: ANGELA 2017.02.15  
APVD: ANGELA 2017.02.15  
PART NO. 2RJ1729-010X11F  
SCALE: 1:1  
UNIT: mm  
SIZE: A3  
SHEET: 1 OF 1  
REV: B

CUSTOMER COPY