

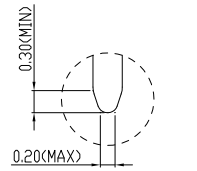
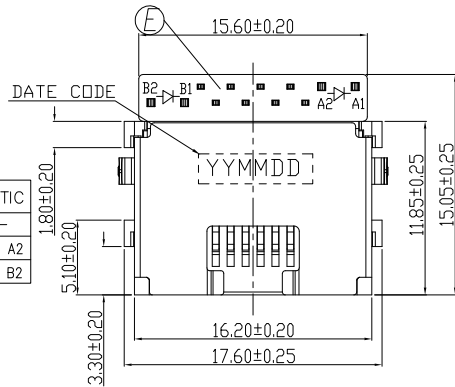
REV.	ECN NO OR DESCRIPTION	REVISED	DATE
A	PDR RELEASE	EVEN	2017.04.13
B	ECN NO. L202106-R01	EVEN	2021.08.17

SPECIFICATIONS:

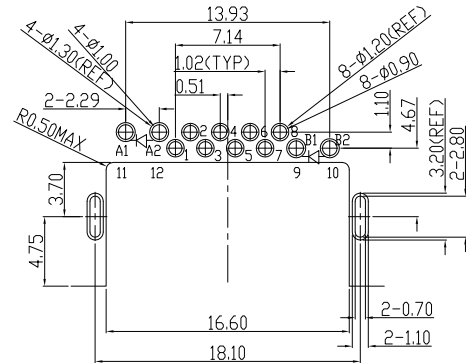
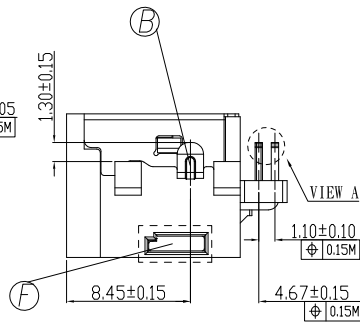
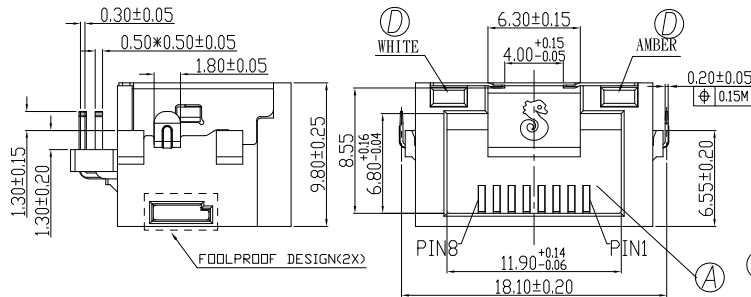
- VOLTAGE RATING: 150 VAC MAX.
- CURRENT RATING: 1.5 AMP MAX.
- INSULATION RESISTANCE: 500MΩ MIN. AT 500V DC
- DIELECTRIC WITHSTANDING VOLTAGE: 500 VAC 60Hz 1 MINUTE.
- OPERATING TEMPERATURE: -30°C TO +70°C.
- TO CONFORM TO SINGATRON HAZARDOUS SUBSTANCE FREE SPEC.
- HALOGEN FREE PRODUCT IDENTIFICATION LABEL ON PACKAGING:
- PACKAGE: SEE "2RJ1729-100X11F" PACKAGE.
- FOR REFLOW SOLDERING LEAD-FREE PROCESS.
- MATES WITH MODULAR PLUG CONFORMING TO FCC PART 68, SUBPART F.
- DURABILITY: 5000 CYCLES.
- OTHER GENERAL SPEC. TO REFER "2RJ1729-100X11F SPEC".



LED ELECTRICAL CHARACTERISTIC			
NODE	COLOR		
A1(1) A2(+)	AMBER	A1	A2
B1(-) B2(+)	WHITE	B1	B2



VIEW A SCALE 5:1



RECOMMENDED PCB LAYOUT  
TOLERANCE: ±0.05mm  
RECOMMENDED PCB THICKNESS: 1.00±0.05

PART NO.  
2RJ1729-100X11F

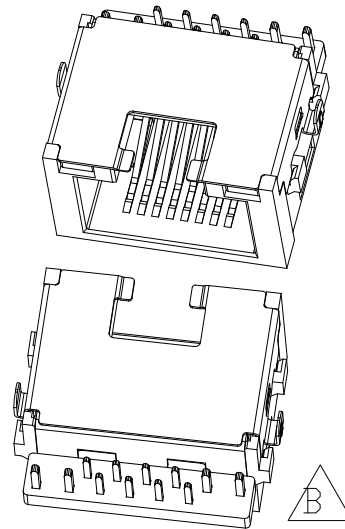
SUFFIX: HALOGEN FREE

PACKAGE  
1: TAPE & REEL  
HOUSING COLOR  
1: BLACK

CONTACT PLATING

1: GOLD FLASH ON CONTACT AREA,  
80u" MIN. MATTE TIN PLATING ON SOLDER AREA  
30u" MIN. NICKEL UNDERPLATED OVERALL

2: 30u" GOLD ON CONTACT AREA,  
80u" MIN. MATTE TIN PLATING ON SOLDER AREA  
30u" MIN. NICKEL UNDERPLATED OVERALL



F	STOPPLE	2	LCP UL 94V-0	BLACK COLOR
E	COVER	1	LCP UL 94V-0	BLACK COLOR
D	LED	2		WHITE/AMBER
C	CONTACT	8	C5210R 0.3t	SEE PART NO.
B	SHELL	1	SUS 0.2t	NICKEL
A	HOUSING	1	PA10 UL 94V-0	BLACK COLOR
NO	DESCRIPTION	QTY	MATERIAL	PLATING & COLOR

UNLESS OTHERWISE SPECIFIED TOLERANCES

信音科技(香港)有限公司

DECIMALS:	ANGLES:	TITLE	RJ45 PHONE JACK		
X :±0.5	X :±2°	DWN	EVEN 2021.08.17	PART NO. 2RJ1729-100X11F	
X.X :±0.3	X.X :±1°	CHKD		SCALE: 1:1	UNIT: mm
X.XX :±0.2		APVD	ANGELA 2021.08.17	SIZE: A3	SHEET: 1 OF 1

CUSTOMER COPY