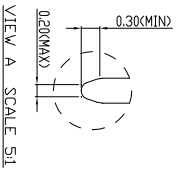
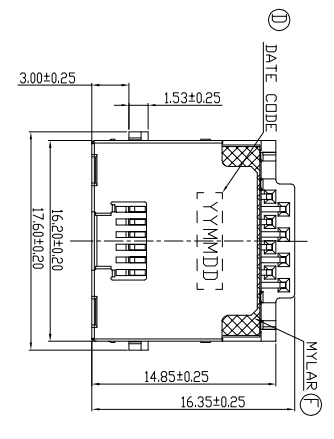
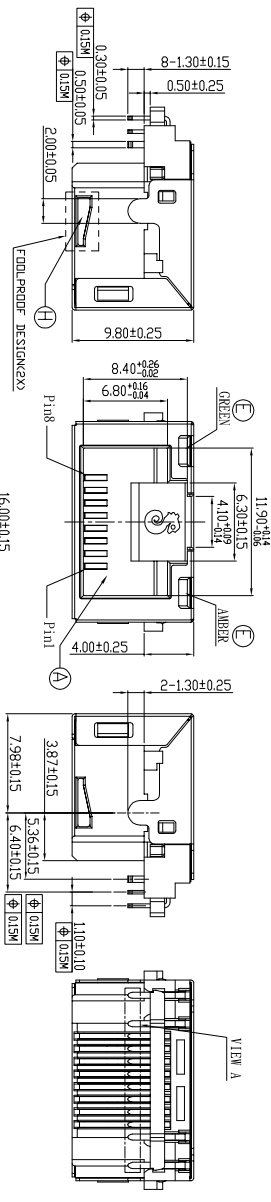


REV	ECN NO OR DESCRIPTION	REVISED	DATE
A	PDR RELEASE	NY-C	2015.03.23
B	ECN NO:L150072	NY-C	2015.06.05
C	ECN NO:L160125	Even	2016.10.20
D	ECN NO:L190021	Even	2019.04.02



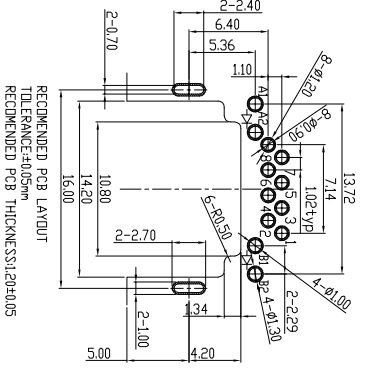
- SPECIFICATIONS:
- VOLTAGE RATING: 150 VAC MAX.
  - CURRENT RATING: 1.5 AMP MAX.
  - INSULATION RESISTANCE: 500M OHMS MIN. AT 500 VDC.
  - DIELECTRIC WITHSTANDING VOLTAGE: 500 VAC 60Hz 1 MINUTE.
  - DURABILITY: 5000 CYCLES.
  - OPERATING TEMPERATURE: -30°C TO +70°C.
  - TO CONFORM TO SINGATRON HAZARDOUS SUBSTANCE FREE SPEC.
  - HALOGEN FREE PRODUCT IDENTIFICATION LABEL ON PACKAGING.
  - PACKAGE: SEE "2R1733 SERIES" PACKAGE.
  - FOR REFLOW SOLDERING LEAD-FREE PROCESS.
  - MATES WITH MODULAR PLUG CONFORMING TO FCC PART 68, SUBPART F.
  - OTHER GENERAL SPEC. TO REFER "2R1733-000X11F SPEC"



- PART NO.**  
2R1733-000X11F
- SUFFIX: HALOGEN FREE**
- PACKAGE**  
1: TAPE AND REEL
- HOUSING COLOR**  
1: BLACK
- CONTACT AREA PLATING**  
1: GOLD FLASH ON CONTACT AREA.  
MATTIE TIN PLATED ON SOLDER AREA.  
NICKEL UNDERPLATED OVERALL.
- 2: 30U "GOLD ON CONTACT AREA,  
MATTIE TIN PLATED ON SOLDER AREA.  
NICKEL UNDERPLATED OVERALL.

pin define:

10/100Base-T	100Base-T4
Pin 1 TX+	Pin 1 TX_D1+
Pin 2 TX-	Pin 2 TX_D1-
Pin 3 RX+	Pin 3 RX_D2+
Pin 4 n/c	Pin 4 BL_D3+
Pin 5 n/c	Pin 5 BL_D3-
Pin 6 RX-	Pin 6 RX_D2-
Pin 7 n/c	Pin 7 BL_D4+
Pin 8 n/c	Pin 8 BL_D4-



LED ELECTRICAL CHARACTERISTIC

NODE	COLOR	WAVELENGTH	FORWARD CURRENT
A1(+)	GREEN	564-577nm	If=20mA
B1(+)	AMBER	584-594nm	If=20mA

NO	DESCRIPTION	QTY	MATERIAL	PLATING & COLOR
H	STOPPLE	2	LCP UL 94V-0	BLACK
G	COVER	1	LCP UL 94V-0	BLACK
F	MYLAR	1		YELLOW
E	LED	2		GREEN/AMBER
D	INK	1	SUS201	BLACK
C	SHIELD	8	CS210	NICKEL
B	CONTACT	1	PA10 UL 94V-0	SEE PART NO.
A	HOUSING	1		BLACK
NO	DESCRIPTION		MATERIAL	PLATING & COLOR

UNLESS OTHERWISE SPECIFIED TOLERANCES

DECIMALS: ANGLES:

X :±0.5 X :±2°

X.X :±0.3 X.X :±1°

X.XX :±0.2

TITLE: R445 JACK, W/SHIELD, R/A, DIP TYPE, H=4.0mm

Part No. 2R1733-000X11F

Scale 3/1 UNIT: mm

SIZE: A3 SHEET: 1 OF 1 REV: D

CUSTOMER COPY