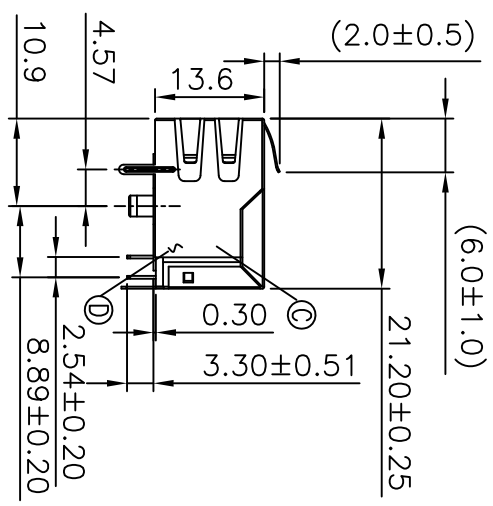
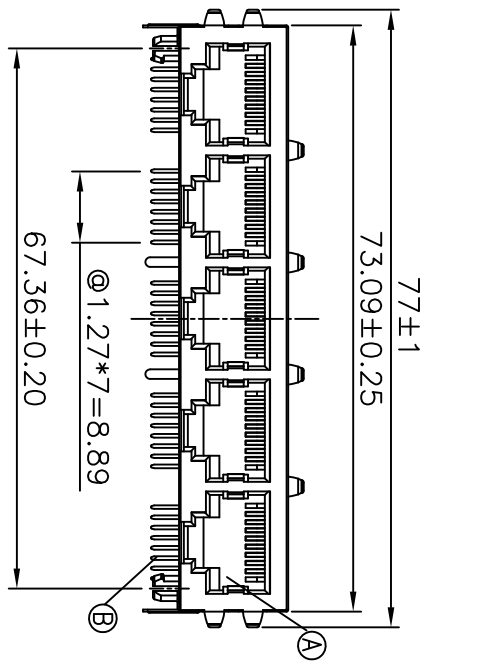
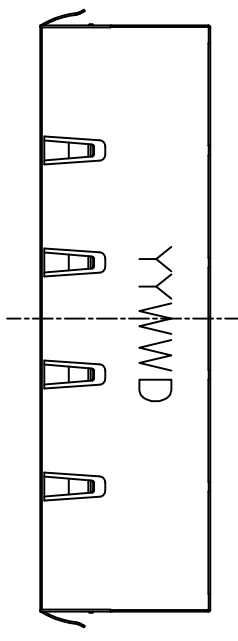


REV.	ECN NO.	OR DESCRIPTION	REVISED	DATE
A		PDR RELEASE	INV-C	2016.03.24

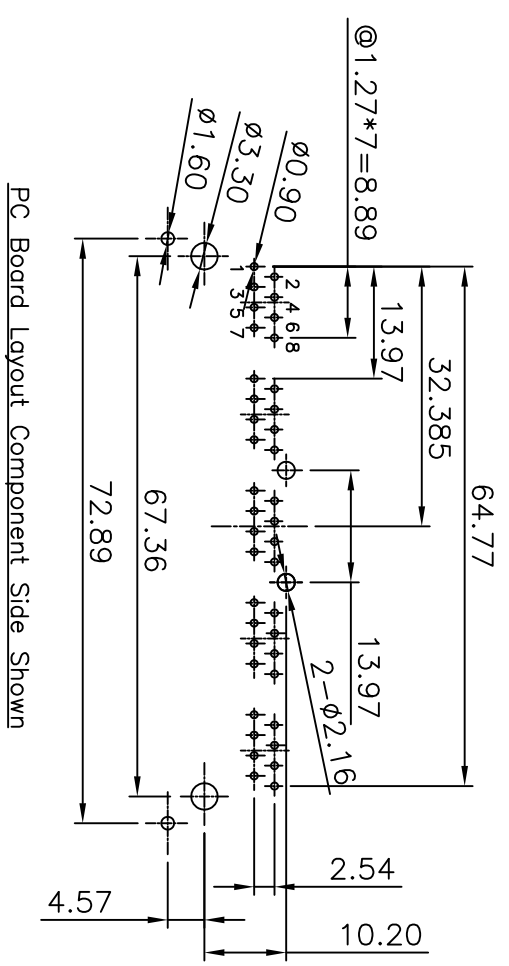


- SPECIFICATIONS:**
- VOLTAGE RATING: 125 VAC MAX.
 - CURRENT RATING: 1.5 AMP MAX.
 - INSULATION RESISTANCE: 1000M OHMS MIN. AT 500 VDC.
 - DIELECTRIC WITHSTANDING VOLTAGE: 750 VAC 60Hz 1 MINUTE.
 - DURABILITY: 750 CYCLES.
 - OPERATING TEMPERATURE: -40°C TO +85°C.
 - TO CONFORM TO SINGATRON HAZARDOUS SUBSTANCE FREE SPEC.
 - GREEN PRODUCT IDENTIFICATION LABEL ON PACKAGING:
 - PACKAGE: SEE "2R1746 SERIES" PACKAGE.
 - FOR REFLOW SOLDERING LEAD-FREE PROCESS.
 - MATES WITH MODULAR PLUG CONFORMING TO FCC PART 68, SUBPART F.
 - OTHER GENERAL SPEC. TO REFER "2R1746-000111F SPEC".

PART NO.
2R1746-000111H

SUFFIX: HALOGEN
PACKAGE
1: TRAY
HOUSING COLOR
1: BLACK

CONTACT AREA PLATING
1: 30u" GOLD ON CONTACT AREA,
TIN PLATED ON SOLDER AREA.



NO	DESCRIPTION	QTY	MATERIAL	PLATING & COLOR
D	INSERT	4	PA9T UL 94V-0	BLACK
C	SHIELD	1	C2680 0.2t	NICKEL
B	CONTACT	40	C5210 0.35t	SEE PART NO.
A	HOUSING	1	PA9T UL 94V-0	BLACK
NO	DESCRIPTION	QTY	MATERIAL	PLATING & COLOR

UNLESS OTHERWISE SPECIFIED TOLERANCES

DECIMALS:	ANGLES:
X :±0.5	X :±2°
X.X :±0.25	X.X :±1°
X.XX :±0.15	

TITLE 1x5 RJ JACK

DRAWN IN-C 2016.03.24 **PART NO.** 2R1746-000111H

CHKD ANEJAD010324 **SCALE** 3/1 **UNIT:** mm

APVD ANEJAD010324 **SIZE:** A3 **SHEET:** 1 OF 1 **REV:** A

CUSTOMER COPY

Singatron Enterprise Co., Ltd.
信登企業股份有限公司