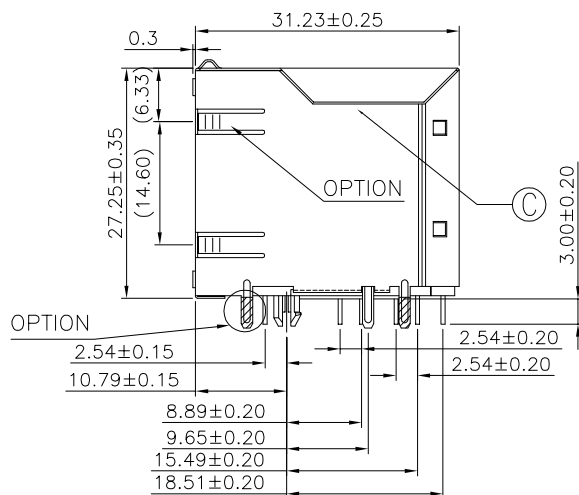
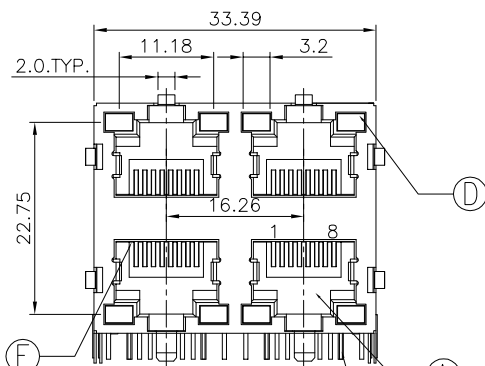
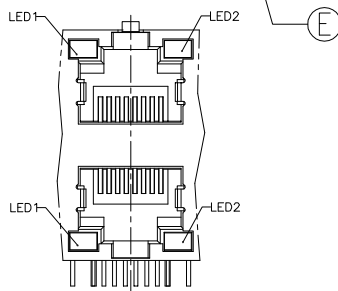
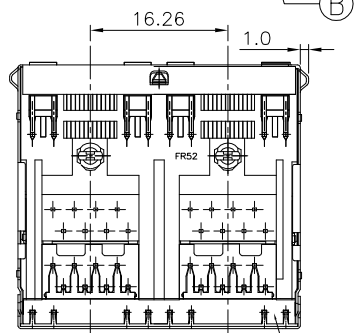


REV.	ECN NO OR DESCRIPTION	REVISED	DATE
A	PDR RELEASE	IVY-C	2016.08.02

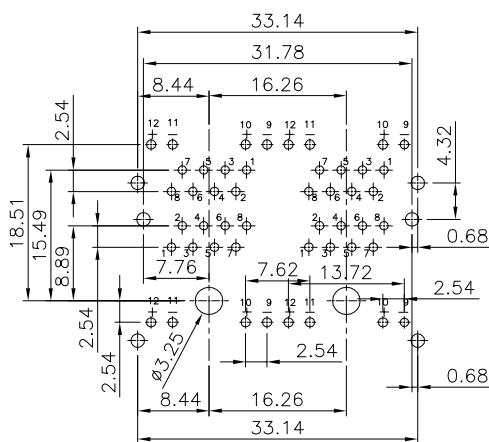


**SPECIFICATIONS:**

- VOLTAGE RATING: 125 VAC MAX.
- CURRENT RATING: 1.5 AMP MAX.
- INSULATION RESISTANCE: 500M OHMS MIN.
- DIELECTRIC WITHSTANDING VOLTAGE: 750 VAC 60Hz 1 MINUTE.
- DURABILITY: 750 CYCLES .
- OPERATING TEMPERATURE: -40°C TO +85°C.
- TO CONFORM TO SINGATRON HAZARDOUS SUBSTANCE FREE SPEC.
- GREEN PRODUCT IDENTIFICATION LABEL ON PACKAGING: **G.P. PASS**
- PACKAGE: SEE "2RJ1762-000111F PACKAGE."
- FOR REFLOW SOLDERING LEAD-FREE PROCESS.
- MATES WITH MODULAR PLUG CONFORMING TO FCC PART 68, SUBPART F.
- OTHER GENERAL SPEC. TO REFER " 2RJ1762-000111H SPEC"



LED LAYOUT



PC Board Layout example  
Component Side Shown

**PART NO.**  
**2RJ1762-000111H**

**SUFFIX: HALOGEN**  
**PACKAGE**  
**1: TUBE**  
**HOUSING COLOR**  
**1: BLACK**  
**CONTACT AREA PLATING**

**1: GOLD FLASH PLATING IN THE CONTACT AREA .**  
**80~160u" TIN ON SOLDER TAILS.**  
**30~80u" NICKEL UNDERPLATED OVER ALL**

NO	DESCRIPTION	QTY	MATERIAL	PLATING & COLOR
F	INSERT	4	FR52 UL 94V-0	BLACK
E	COVER	1	FR52 UL 94V-0	BLACK
D	LED	8		GREEN/GREEN & YELLOW
C	SHELL	1	C2680-H	NICKEL
B	CONTACT	32	C5210-EH	SEE PART NO.
A	HOUSING	1	FR52 UL 94V-0	BLACK

UNLESS OTHERWISE SPECIFIED TOLERANCES

Singatron Enterprise Co., Ltd.  
信音企業股份有限公司

DECIMALS: ANGLES:  
X :±0.5 X :±2°  
X.X :±0.3 X.X :±1°  
X.XX :±0.2

TITLE	RJ JACK		
DWN	IVY-C 2016.08.02	<b>PART NO. 2RJ1762-000111H</b>	
CHKD	ANCELA 2016.08.02	SCALE:N/A	UNIT: mm
APVD	ANCELA 2016.08.02	SIZE: A3	SHEET:1 OF 1 REV: A

**CUSTOMER COPY**

LED DISPLAY	
LED1	LED2
GREEN	GREEN
	YELLOW