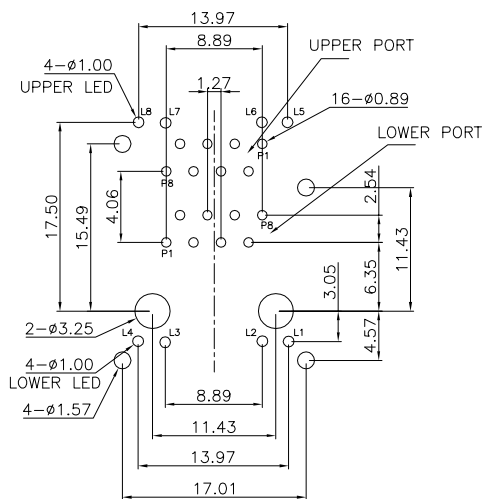
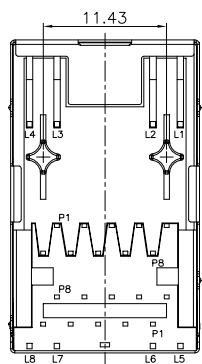
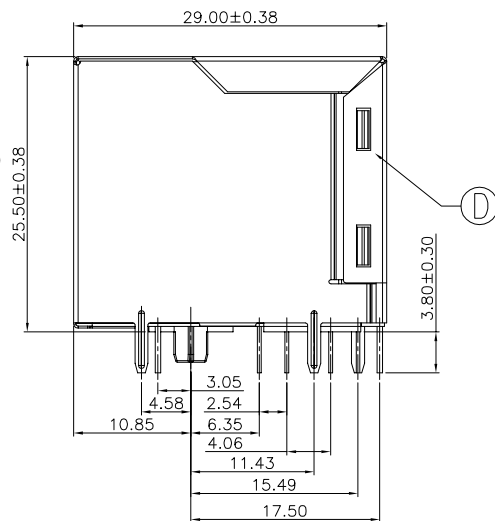
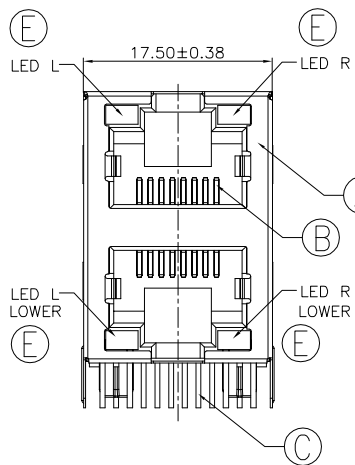


REV.	ECN NO OR DESCRIPTION	REVISED	DATE
A	PDR RELEASE	IVY-C	2016.07.14



SPECIFICATIONS:

1. TO CONFORM TO SINGATRON HAZARDOUS SUBSTANCE FREE SPEC.
2. GREEN PRODUCT IDENTIFICATION LABEL ON PACKAGING: **G.P. PASS**
3. PACKAGE: SEE "2RJ1764-000111H PACKAGE."
4. FOR WAVE SOLDERING LEAD-FREE PROCESS.
5. MATES WITH MODULAR PLUG CONFORMING TO FCC PART 68, SUBPART F.
6. OTHER GENERAL SPEC. TO REFER "2RJ1764-000111H SPEC"

PART NO.

2RJ1764-000111H

SUFFIX: HALOGEN

PACKAGE

1: Tray

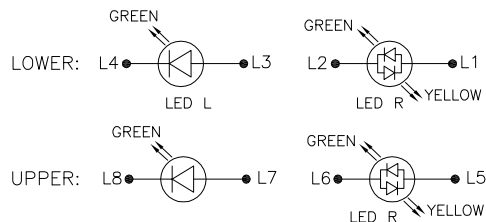
HOUSING COLOR

1: BLACK

CONTACT AREA PLATING

1: GOLD FLASH ON CONTACT AREA,
TIN PLATING ON SOLDER AREA

NO	DESCRIPTION	QTY	MATERIAL	PLATING & COLOR
E	LED	4		GREEN / YELLOW
D	SHELL	1	COPPER ALLOY	NICKEL
C	OUTPUT CONTACT	16	COPPER ALLOY	SEE PART NO.
B	INPUT CONTACT	16	COPPER ALLOY	TIN PLATED
A	HOUSING	1	THERMOPLASTIC PLASTIC, UL94 V-0	BLACK
NO	DESCRIPTION	QTY	MATERIAL	PLATING & COLOR
UNLESS OTHERWISE SPECIFIED TOLERANCES		Singatron Enterprise Co., Ltd. 信音企業股份有限公司		
DECIMALS: ANGLES:		TITLE		
X : ±0.5	X : ±2°	RJ45 2x1 RECEPTACLE R/A SHIELDED WITH LED		
X.X : ±0.3	X.X : ±1°	DWN	IVY-C 2016.07.14	PART NO. 2RJ1764-000111H
X.XX : ±0.2		CHKD	ANGELA 2016.07.14	SCALE: N/A UNIT: mm
		APVD	ANGELA 2016.07.14	SIZE: A3 SHEET: 1 OF 1 REV: A
CUSTOMER COPY				



Recommended PCB Layout
(T=1.60mm, Tol: ±0.05)