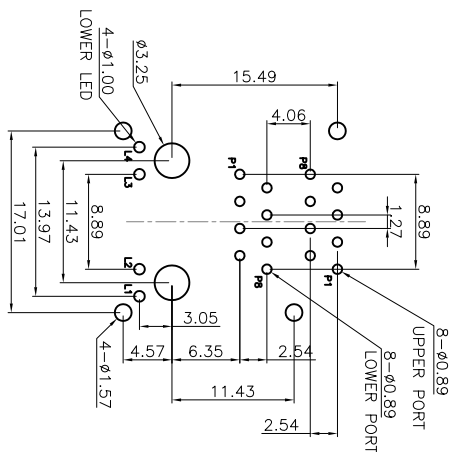
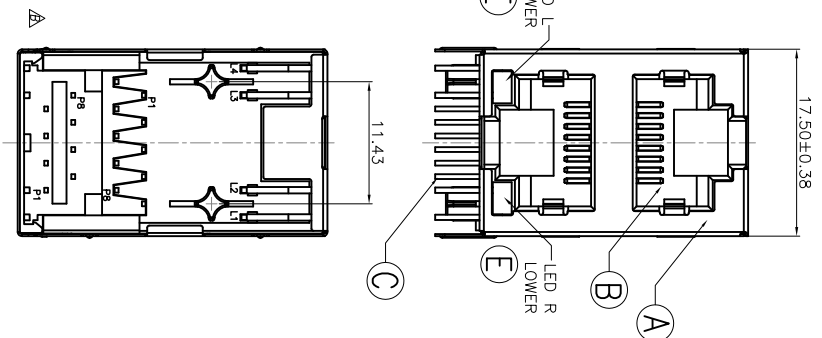
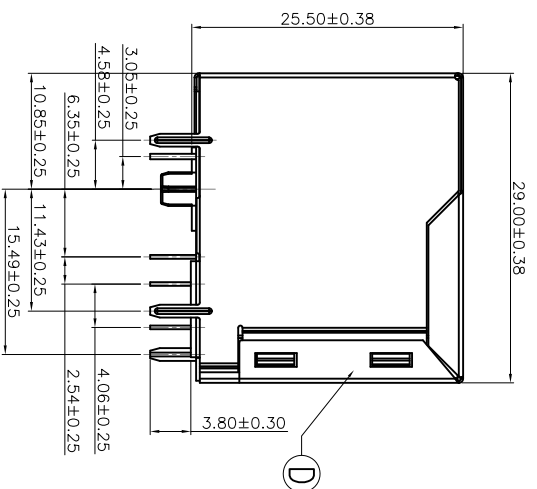


REV.	ECN NO OR DESCRIPTION	REVISED	DATE
A	PDR RELEASE	IVY-C	2016.07.14
B	ECN NO: L160153	EVEN	2017.03.14

- SPECIFICATIONS:
1. TO CONFORM TO SINGATRON HAZARDOUS SUBSTANCE FREE SPEC.
  2. GREEN PRODUCT IDENTIFICATION LABEL ON PACKAGING: **G-P PASS**
  3. PACKAGE: SEE "2R1764-010111H PACKAGE."
  4. FOR WAVE SOLDERING LEAD-FREE PROCESS.
  5. MATES WITH MODULAR PLUG CONFORMING TO FCC PART 68, SUBPART F.
  6. OTHER GENERAL SPEC. TO REFER " 2R1764-010111H SPEC"



Recommended PCB Layout  
(T=1.60mm, Tol:±0.05)

PART NO. 2R1764-010111H  
 SUFFIX: HALOGEN  
 PACKAGE 1: 7ray  
 HOUSING COLOR 1: BLACK  
 CONTACT AREA PLATING  
 1: GOLD FLASH ON CONTACT AREA,  
 TIN PLATING ON SOLDER AREA

NO	DESCRIPTION	QTY	MATERIAL	PLATING & COLOR
E	LED	2		GREEN / YELLOW
D	SHELL	1	COPPER ALLOY	NICKEL
C	OUTPUT CONTACT	16	COPPER ALLOY	SEE PART NO.
B	INPUT CONTACT	16	COPPER ALLOY	TIN PLATED
A	HOUSING	1	THERMOPLASTIC PLASTIC, UL94 V-0	BLACK

UNLESS OTHERWISE SPECIFIED TOLERANCES	DECIMALS:	ANGLES:
X	:±0.5	X :±2°
X.X	:±0.3	X.X :±1°
X.XX	:±0.2	

TITLE	SHIELDED WITH LED
DWN	R445 2x1 RECEPTACLE R/A
CHKD	PART NO. 2R1764-010111H
APVD	SCALE: N/A UNIT: mm
	SIZE: A3 SHEET: 1 OF 1 REV: B

CUSTOMER COPY