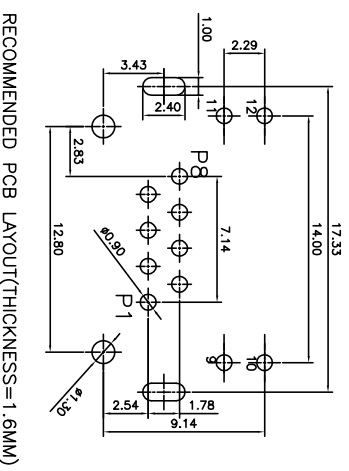
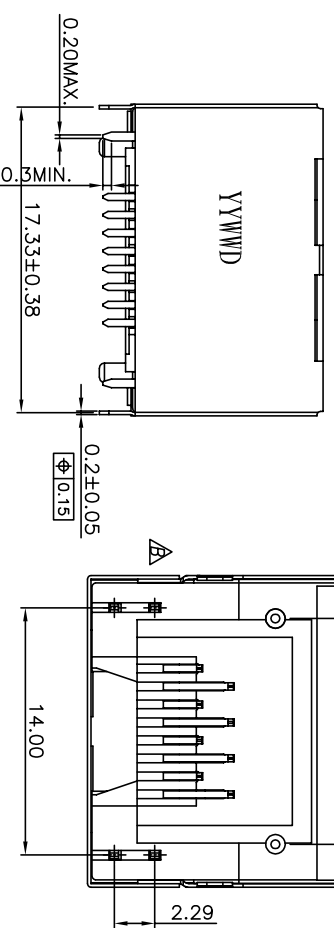
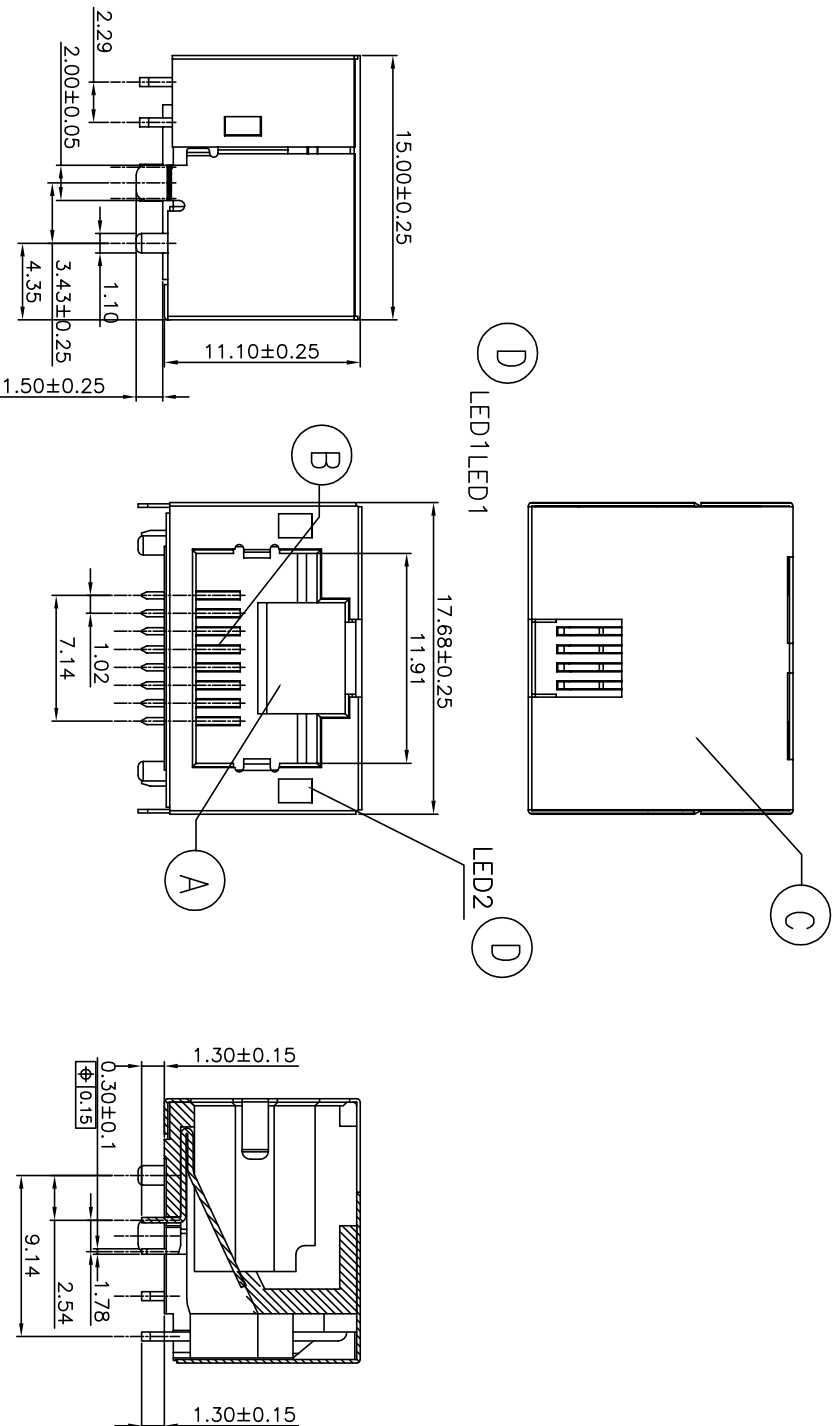


REV.	ECN NO OR DESCRIPTION	REVISED	DATE
A	PDR RELEASE	EVEN	2017.08.10
B	ECN NO: L170120	EVEN	2017.12.08

**SPECIFICATIONS:**

- CURRENT RATING: 1.5 AMP MAX.
- VOLTAGE RATING: 150 VAC MAX.
- INSULATION RESISTANCE: 1000M OHMS MIN.
- DIELECTRIC WITHSTANDING VOLTAGE: 1000 VAC 60Hz 1 MINUTE.
- DURABILITY: 5,000 CYCLES MIN.
- OPERATING TEMPERATURE: -30°C TO +70°C.
- TO CONFORM TO SINGATRON HAZARDOUS SUBSTANCE FREE SPEC.
- HALOGEN FREE PRODUCT IDENTIFICATION LABEL ON PACKAGING:
- PACKAGE: SEE "2RJ1777-000111F" PACKAGE.
- FOR REFLOW SOLDERING LEAD-FREE PROCESS.
- MATES WITH MODULAR PLUG CONFORMING TO FCC PART 68, SUBPART F.
- OTHER GENERAL SPEC. TO REFER "2RJ1777-001111F SPEC".



NOTE	COLOR	LED ELECTRICAL CHARACTERISTIC
12(+)-11(-)	LED1: AMBER	12 → 11
10(+)-9(-)	LED2: GREEN	10 → 9

PART NO.  
2RJ1777-000111F

SUFFIX: HALOGEN FREE  
PACKAGE  
I: TAPE & REEL  
HOUSING COLOR  
I: BLACK

CONTACT AREA PLATING  
I: GOLD FLASH PLATED ON CONTACT AREA,  
TIN PLATED ON SOLDER AREA

D	LED	2	AMBER/GREEN	TIN PLATED
C	SHELL	1	SUS430	NICKEL
B	CONTACT	8	C5210	SEE PART NO.
A	HOUSING	1	PA10I, UL 94V-0	BLACK
NO	DESCRIPTION	QTY	MATERIAL	PLATING & COLOR

UNLESS OTHERWISE SPECIFIED TOLERANCES

DECIMALS: ANGLES:

X : ±0.5 X : ±2°  
X.X : ±0.3 X.X : ±1°  
X.XX : ±0.2

TITLE	RJ45 JACK, SIDE ENTRY, LED, WITH SHELL
DWN	ENH 2017.12.08
CHKD	WNGELA 2017.12.08
APVD	WNGELA 2017.12.08

PART NO. 2RJ1777-000111F  
SCALE 1:1 UNIT: mm  
SIZE: A3 SHEET: 1 OF 1 REV: B

Singatron Enterprise Co., Ltd.  
信音企業股份有限公司

CUSTOMER COPY