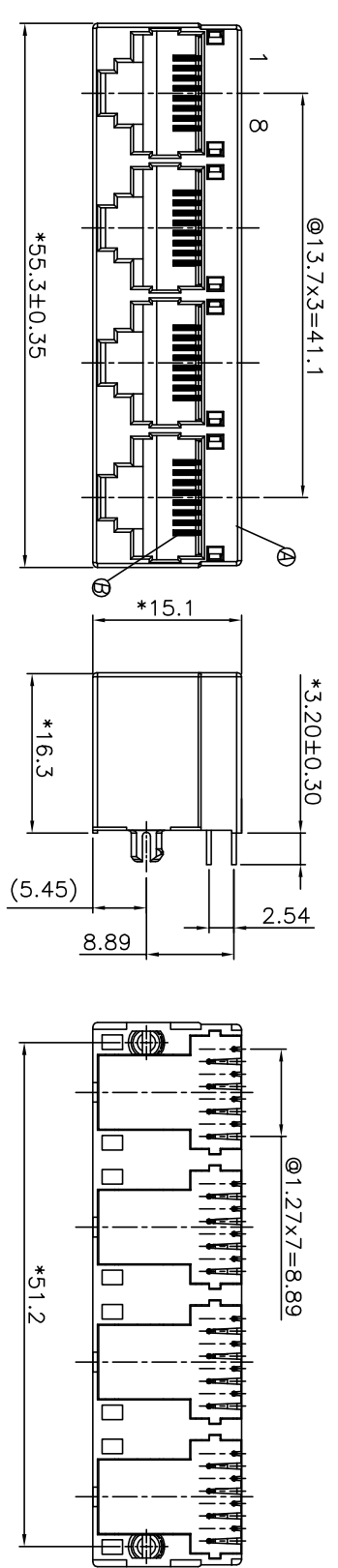
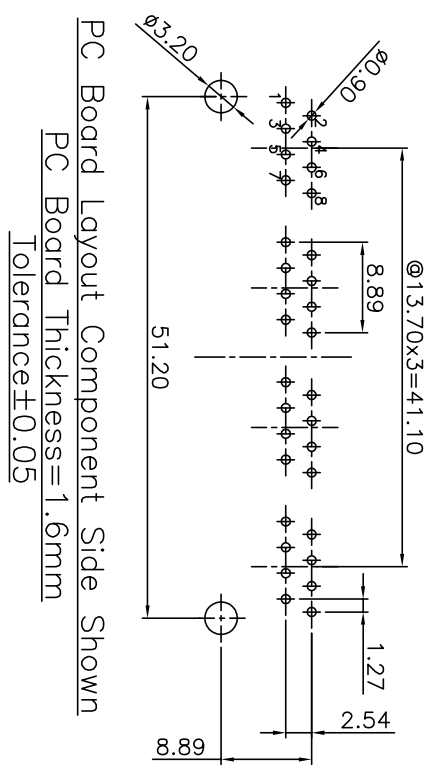


REV.	ECN NO OR DESCRIPTION	REVISED	DATE
A	PDR RELEASE	Even	2017.12.25



- SPECIFICATIONS:
- VOLTAGE RATING: 125 VAC MAX.
  - CURRENT RATING: 1.5 AMP MAX.
  - INSULATION RESISTANCE: 1000MΩ MIN. AT 500V DC
  - DIELECTRIC WITHSTANDING VOLTAGE: 1000 VAC 60Hz 1 MINUTE.
  - OPERATING TEMPERATURE: -40°C TO +85°C.
  - TO CONFORM TO SINGATRON HAZARDOUS SUBSTANCE FREE SPEC.
  - GREEN PRODUCT IDENTIFICATION LABEL ON PACKAGING: **[G.P. PASS]**
  - PACKAGE: SEE "2RJ1785-000111H" PACKAGE.
  - FOR WAVE SOLDERING LEAD-FREE PROCESS.
  - MATES WITH MODULAR PLUG CONFORMING TO FCC PART 68, SUBPART F.
  - DURABILITY: 750 CYCLES.
  - OTHER GENERAL SPEC. TO REFER "2RJ1785-000111H SPEC".



**PART NO.**  
**2RJ1785-000111H**

- SUFFIX: HALOGEN
- PACKAGE 1: TRAY
- HOUSING COLOR 1: BLACK
- CONTACT PLATING 1: GOLD FLASH(0.4~1.0u") OVER NICKEL 30u" MIN.

B	CONTACT	32	PHOSPHOR BRONZE	SEE PART NO.
A	HOUSING	1	PBT UL94V-0	BLACK
NO	DESCRIPTION	QTY	MATERIAL	PLATING & COLOR
UNLESS OTHERWISE SPECIFIED TOLERANCES				
DECIMALS:			ANGLES:	
X	:±0.5	X	:±2°	
X.X	:±0.3	X.X	:±1°	
X.XX	:±0.2			
TITLE		TOP ENTRY GANG JACK 1*4 W/O SHIELD		
DWN		REV: 2017.12.25		
CHKD		PART NO. 2RJ1785-000111H		
APVD		SCALE: 1:1		
		UNIT: mm		
		SIZE: A3		
		SHEET: 1 OF 1		
		REV: A		
CUSTOMER COPY				

Singatron Enterprise Co., Ltd.  
信音企業股份有限公司