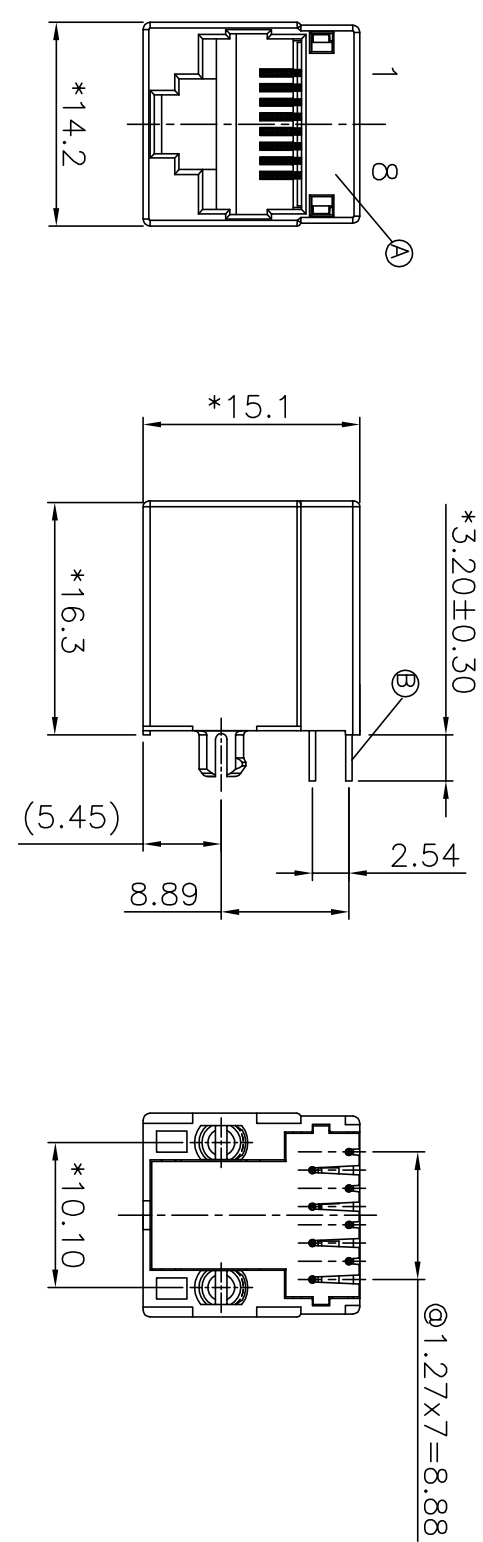
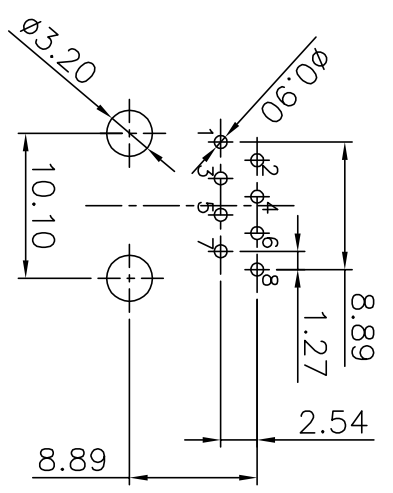


REV.	ECN NO OR DESCRIPTION	REVISED	DATE
A	PDR RELEASE	Even	2017.12.25



SPECIFICATIONS:

- VOLTAGE RATING: 125 VAC MAX.
- CURRENT RATING: 1.5 AMP MAX.
- INSULATION RESISTANCE: 1000MΩ MIN. AT 500V DC
- DIELECTRIC WITHSTANDING VOLTAGE: 1000 VAC 60Hz 1 MINUTE.
- OPERATING TEMPERATURE: -40°C TO +85°C.
- TO CONFORM TO SINGATRON HAZARDOUS SUBSTANCE FREE SPEC.
- GREEN PRODUCT IDENTIFICATION LABEL ON PACKAGING: **GREEN PASS**
- PACKAGE: SEE "2RJ1785-100111H" PACKAGE.
- FOR WAVE SOLDERING LEAD-FREE PROCESS.
- MATES WITH MODULAR PLUG CONFORMING TO FCC PART 68, SUBPART F.
- DURABILITY: 750 CYCLES.
- OTHER GENERAL SPEC. TO REFER "2RJ1785-100111H SPEC."



PC Board Layout  
Component Side View

**PART NO.**  
**2RJ1785-100111H**

- SUFFIX: HALOGEN
- PACKAGE 1: TRAY
- HOUSING COLOR 1: BLACK
- CONTACT PLATING 1: GOLD FLASH(0.4~1.0u") OVER NICKEL 30u" MIN.

B	CONTACT	8	PHOSPHOR BRONZE	SEE PART NO.
A	HOUSING	1	PBT UL94V-0	BLACK
NO	DESCRIPTION	QTY	MATERIAL	PLATING & COLOR
UNLESS OTHERWISE SPECIFIED TOLERANCES				
Singatron Enterprise Co., Ltd. 信晉企業股份有限公司				
DECIMALS:	ANGLES:	TITLE TOP ENTRY GANG JACK 1*1 W/O SHIELD		
X :±0.5	X :±2°	DWN	ENR 2017.12.25	PART NO. 2RJ1785-100111H
X.X :±0.3	X.X :±1°	CHKD	AMEL2017.12.25	SCALE:1:1
X.XX :±0.2		APVD	AMEL2017.12.25	UNIT: mm
				SIZE: A3
				SHEET: 1 OF 1
				REV:A

CUSTOMER COPY