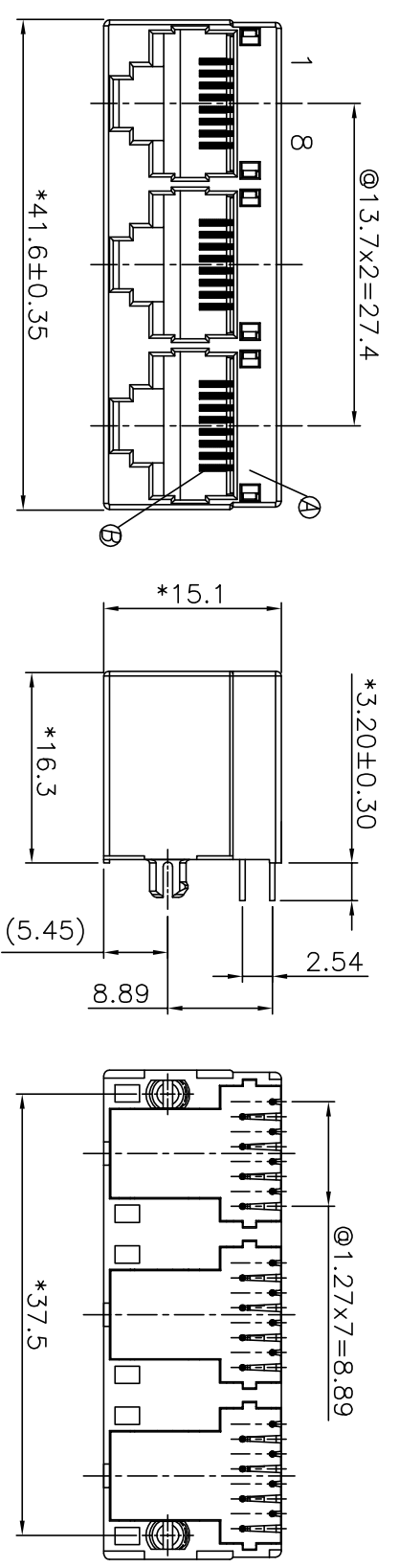
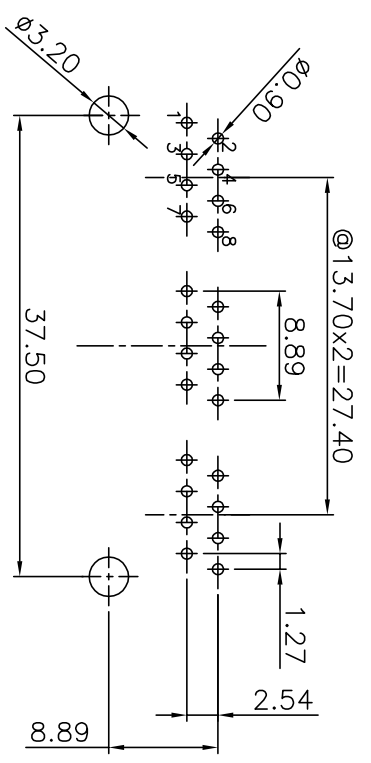


REV.	ECN NO OR DESCRIPTION	REVISED	DATE
A	PDR RELEASE	Even	2017.12.25



- SPECIFICATIONS:
- VOLTAGE RATING: 125 VAC MAX.
 - CURRENT RATING: 1.5 AMP MAX.
 - INSULATION RESISTANCE: 1000MΩ MIN. AT 500V DC
 - DIELECTRIC WITHSTANDING VOLTAGE: 1000 VAC 60Hz 1 MINUTE.
 - OPERATING TEMPERATURE: -40°C TO +85°C.
 - TO CONFORM TO SINGATRON HAZARDOUS SUBSTANCE FREE SPEC.
 - GREEN PRODUCT IDENTIFICATION LABEL ON PACKAGING: **[G.P. PASS]**
 - PACKAGE: SEE "2RJ1785-200111H" PACKAGE.
 - FOR WAVE SOLDERING LEAD-FREE PROCESS.
 - MATES WITH MODULAR PLUG CONFORMING TO FCC PART 68, SUBPART F.
 - DURABILITY: 750 CYCLES.
 - OTHER GENERAL SPEC. TO REFER "2RJ1785-200111H SPEC".



PART NO.
2RJ1785-200111H

SUFFIX: HALOGEN
PACKAGE
1: TRAY
HOUSING COLOR
1: BLACK
CONTACT PLATING
1: GOLD FLASH(0.4~1.0u") OVER NICKEL 30u" MIN.

B	CONTACT	24	PHOSPHOR BRONZE	SEE PART NO.
A	HOUSING	1	PBT UL94V-0	BLACK
NO	DESCRIPTION	QTY	MATERIAL	PLATING & COLOR
UNLESS OTHERWISE SPECIFIED TOLERANCES				
Singatron Enterprise Co., Ltd. 信音企業股份有限公司				
TITLE		TOP ENTRY GANG JACK 1*3 W/O SHIELD		
DWN	EN: 2017.12.25	PART NO. 2RJ1785-200111H		
CHKD	AME:2017.12.25	SCALE:1:1	UNIT: mm	
APVD	AME:2017.12.25	SIZE: A3	SHEET:1 OF 1	REV:A

CUSTOMER COPY