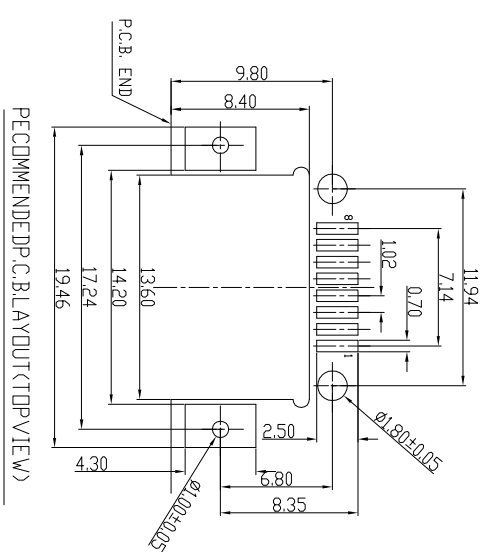
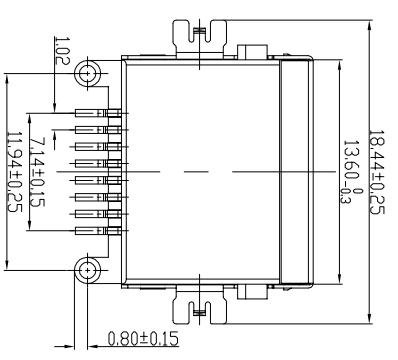
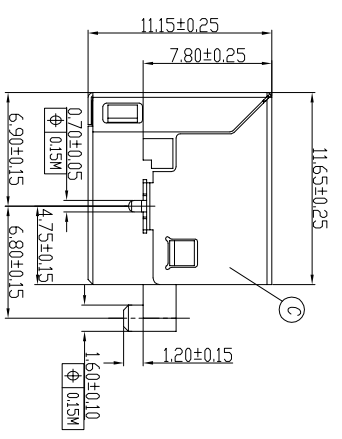
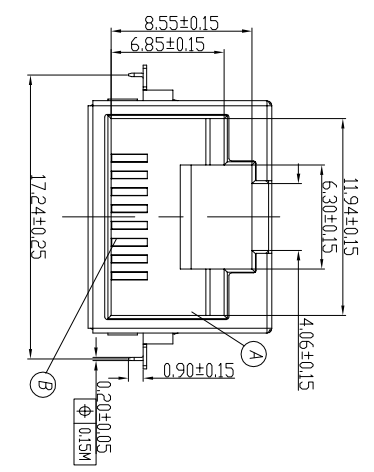
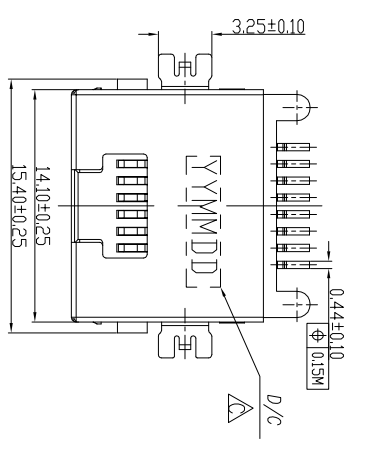


F
E
D
C
B
A



PCB TOLERANCES ±0.05

REV.	ECN NO OR DESCRIPTION	REVISED	DATE
A	PDR NO. T170925-4A	PAN	2018.08.04
B	ECN NO. S180850-C	PAN	2018.10.29
C	ECN NO. L190013	EVEN	2019.03.25

- SPECIFICATIONS:
- VOLTAGE RATING: 150 VAC MAX.
 - CURRENT RATING: 1.5 AMP MAX.
 - INSULATION RESISTANCE: 100M OHMS MIN. AT 500 VDC.
 - DIELECTRIC WITHSTANDING VOLTAGE: 500 VAC 60Hz 1 MINUTE.
 - DURABILITY: 5000 CYCLES.
 - OPERATING TEMPERATURE: -30°C TO +70°C.
 - TO CONFORM TO SINGATRON HAZARDOUS SUBSTANCE FREE SPEC.
 - HALOGEN FREE PRODUCT IDENTIFICATION LABEL ON PACKAGING.
 - PACKAGE: SEE "2RJ1794-000111F" PACKAGE.
 - FOR REFLOW SOLDERING LEAD-FREE PROCESS.
 - MATES WITH MODULAR PLUG CONFORMING TO FCC PART 68, SUBPART F.
 - Contact Resistance 45MΩ Maximum



PART NO.
2RJ1794-000111F

SUFFIX: HALOGEN FREE
PACKAGE: TAPE & REEL
HOUSING COLOR
I: BLACK

CONTACT AREA PLATING
I: GOLD FLASH ON CONTACT AREA,
MATE TTN 50u" MIN ON SOLDER AREA.
50u" MIN NICKEL UNDERPLATED OVERALL.

NO	DESCRIPTION	QTY	MATERIAL	PLATING & COLOR
C	SHIELD	1	SUS201	50u" NICKEL PLATED
B	CONTACT	8	CS210R-EH	SEE PART NO.
A	HOUSING	1	PA10T UL 94V-0 (Polyphthalamide(PPA))	BLACK

UNLESS OTHERWISE SPECIFIED TOLERANCES

DECIMALS: ANGLES:

X : ±0.5 X : ±2°
X.X : ±0.3 X.X : ±1°
X.XX : ±0.2

titles: R45 PHONE JACK

DWN: EN 2019.03.25 PART NO. 2RJ1794-000111F
CHKD: SCALE 3/1 UNIT: mm
APVD: MING 2019.03.25 SIZE: A3 SHEET: 1 OF 1 REV: C

Singatron Enterprise Co., Ltd.
信音企業股份有限公司

CUSTOMER COPY

1 2 3 4 5 6 7 8